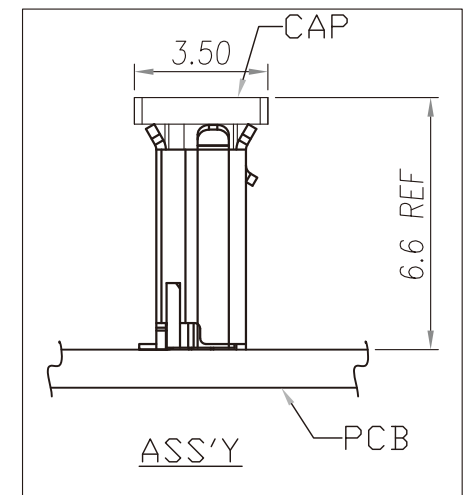


RECOMMENED PCB LAYOUT
(TOP VIEW)



1. MATERIAL :
- 1-1. HOUSING : LCP UL94V-0 ; COLOR : BLACK
 - 1-2. CONTACT : PHOSPHOR BRONZE
 - 1-3. SHELL : STAINLESS STEEL
 - 1-4. CAP : LCP UL94V-0 ; COLOR : BLACK
2. FINISH :
- 2-1. CONTACT : GOLD 10 μ ON CONTACT AREA
GOLD FLASH ON OTHER AREA
 - 2-2. SHELL : MATTE TIN PLATED

RoHS Compliant

TOLERANCES ARE

MORETHANALL
PCB CONNECTORS
Cable ASSEMBLIES

煜倫股份有限公司

www.morethanall.com

DRAWING BY CY

CHECKED BY GENIUS

UNIT / mm

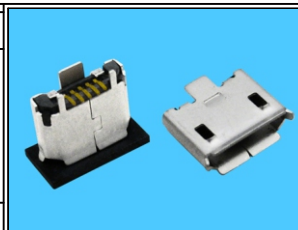
SCALE 1 : 1

DATE

SIZE A4

X, \pm
.X \pm 0.20
.XX \pm 0.10
.XXX \pm 0.05
ANG \pm 1°

PJECTION



ORDER INFORMATION

MISB-SVMXC-5B-LF
SERIES | | | | | LEADFREE
FEMALE | | | | | 5 PIN B TYPE
CAP
NON POST
METAL FOOT
180°SMT

DESCRIPTION: MICRO USB 5PIN(F) 直立式