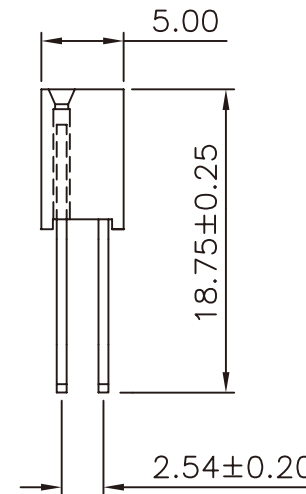
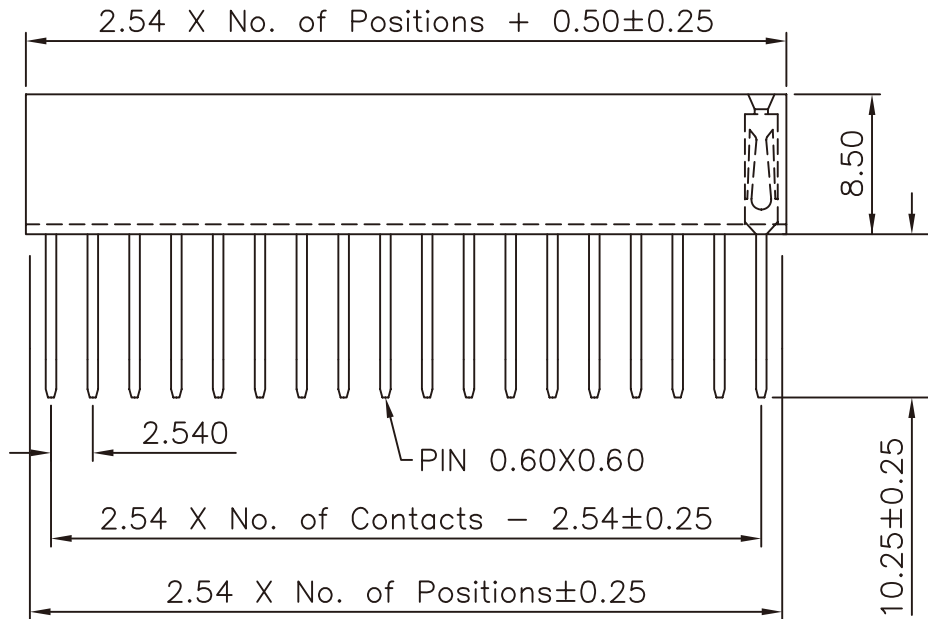
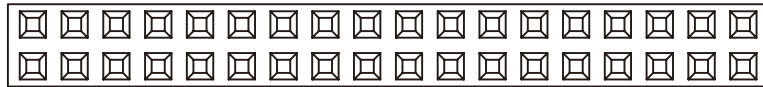


### Specifications

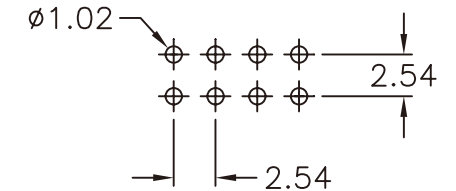
Current Rating: 3Amp  
 Insulation Resistance: 1000MΩ Min.  
 Dielectric Withstanding: 600V AC/DC  
 Contact Resistance: 20mΩ Max.  
 Operating Temperature: -40°C to +105°C

### Materials

Contact Material: Phosphor Bronze  
 Insulation Material: Polyester, UL 94V-0  
 P.B.T



Recommended P.C.Board Hole Layout



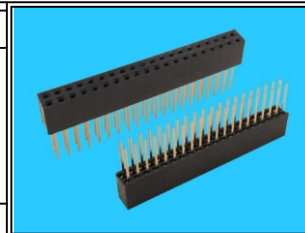
RoHS Compliant

TOLERANCES ARE

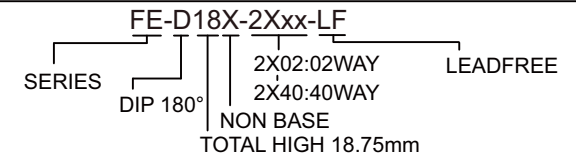
**MORETHANALL**  
 PCB CONNECTORS  
 Cable ASSEMBLIES

DRAWING BY CY  
 CHECKED BY GENIUS  
 UNIT/ mm SCALE 1:1  
 DATE

X.±  
 .X±  
 .XX±  
 .XXX±  
 ANG±



ORDER INFORMATION



煜倫股份有限公司

www.morethanall.com

SIZE A4

PPOJECTION

DESCRIPTION: