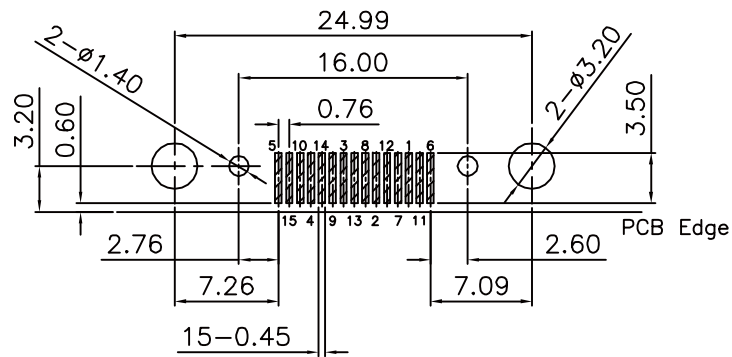
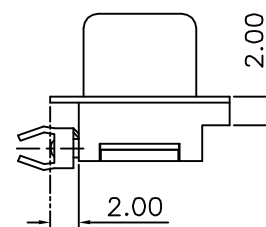
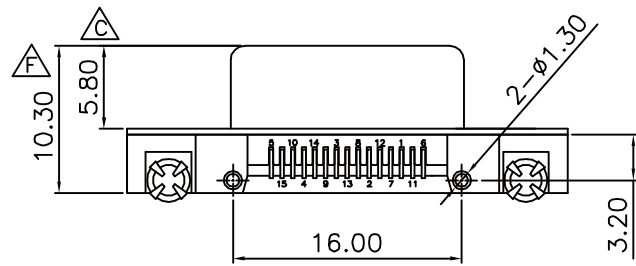


1. Material: $\triangle E$
 Contact: Copper Alloy
 $\triangle F$ Insulator: LCP, UL94V-0, Black
 Shell: SPCC
 Harpoon: Copper Alloy.
 Rivet: Copper Alloy
 Screw: Brass

2. Specification:

- Contact Current Rating: 1 Amperes.
 Dielectric Withstanding Voltage: AC 500V at sea level.
 Insulation Resistance: 1000 Megohms Min.
 Contact Resistance: 30 Milliohms Max.
 Operation Temperature: -55°C to +105°C.



Recommended PCB Layout

RoHS Compliant

TOLERANCES ARE

MORETHANALL
 PCB CONNECTORS
 Cable ASSEMBLIES

煜倫股份有限公司

www.morethanall.com

DRAWING BY CY

CHECKED BY GENIUS

UNIT / mm

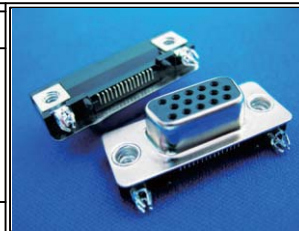
SCALE 1 : 1

DATE

SIZE A4

PPOJECTION \triangle

X, \pm
 X \pm 0.30
 .XX \pm 0.20
 .XXX \pm 0.05
 ANG \pm



ORDER INFORMATION

HDW-SNZ4-15-LF
 SERIES | CLIP | LEADFREE
 | | 15 WAY
 NUT
 MALE

DESCRIPTION: D-SUB (H-D) SLIM 90°-SMD