

Note:

1. Material:

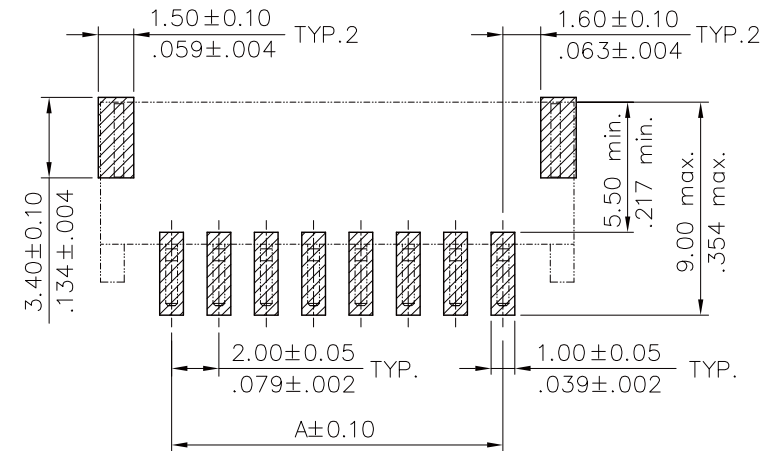
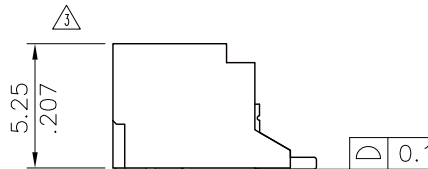
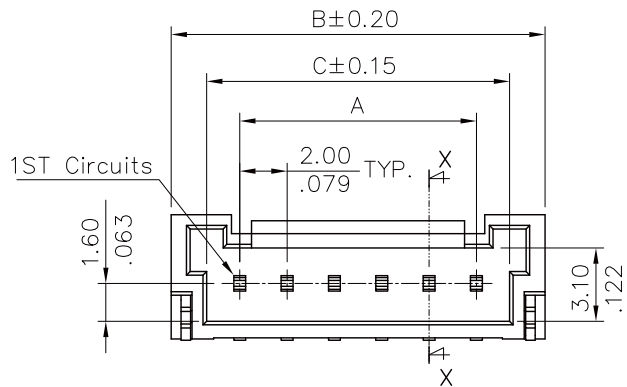
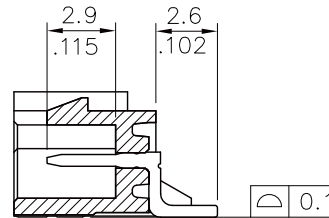
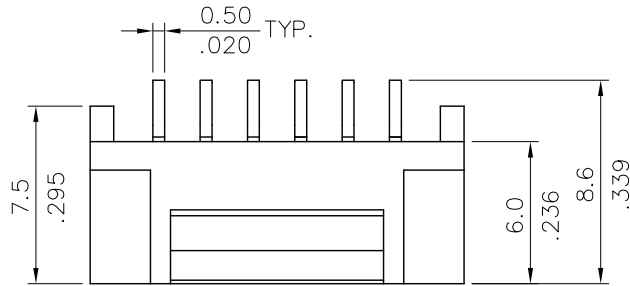
* Insulation: Nylon 6T With 30% GF. 94V-0 ,Color Nature(Halogen-Free)

* Contact: Brass with Matte Tin plated

* TAB: Brass with Matte Tin plated

⚠ 2. For Lead Free IR Reflow Process

TOLERANCE				
Dim	Circuits	2~6P	7~10P	11~16P
A		±0.10	±0.15	±0.20



Sold Pad Pattern

A = 2.00 x No. of Spaces

⚠ B = A + 5.8

⚠ C = A + 2.8

⚠ * Available in 2 through 16 circuits

RoHS Compliant

TOLERANCES ARE

MORETHANALL
PCB CONNECTORS
Cable ASSEMBLIES
煜倫股份有限公司

DRAWING BY CY

CHECKED BY GENIUS

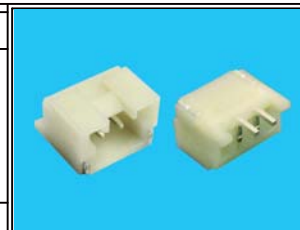
UNIT / mm SCALE 1 : 1

DATE

SIZE A4

PJECTION

X, ±
.X ± 0.30
.XX ± 0.20
.XXX ± 0.10
ANG ±



ORDER INFORMATION

YH20-W-xx-HF
SERIES | HALOGEN FREE
02~16WAY
90°SMT

DESCRIPTION:

www.morethanall.com