

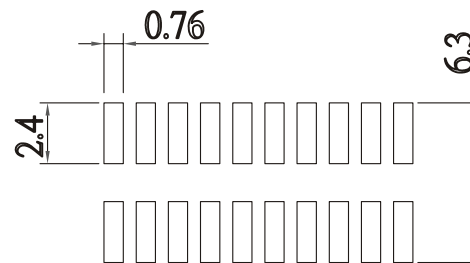
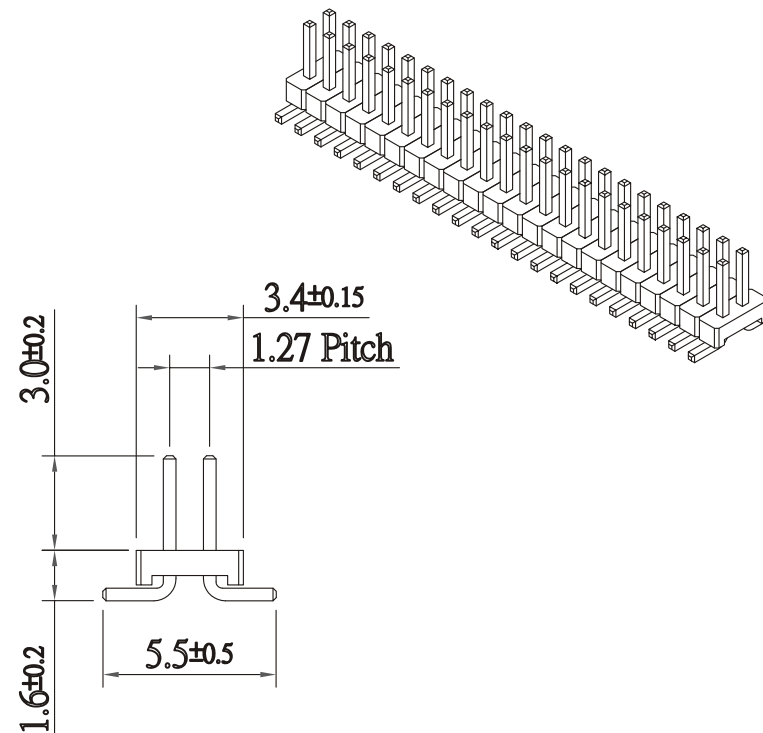
$A = 1.27 * (\text{NO of Positions} - 1)$
 $B = A + 1.27 \pm 0.3$

Conteract:

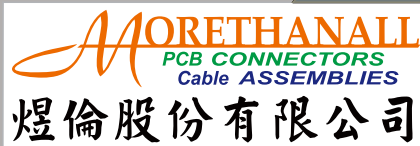
Contact: Brass.

Insuiator: Nylon 6T.

Finish: Gold flash plated over nickel.



P.C.Board Layout



www.morethanall.com

RoHS Compliant

TOLERANCES ARE

DRAWING BY CY

CHECKED BY GENIUS

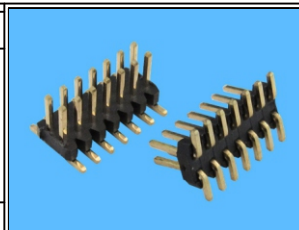
UNIT / mm SCALE 1 : 1

DATE

SIZE A4

X, ±
 .X ±
 .XX ±
 .XXX ±
 ANG ±

PPOJECTION



ORDER INFORMATION

PA-V16X30-2Xxx-LF
 SERIES | LEADFREE
 | 2X02:04 WAY
 | 2X50:100 WAY
 180°SMT | CONTACT 3.0mm
 | NON POST
 | HIGH 1.6mm

DESCRIPTION: 1.27X1.27 PIN HEADER SMT DUAL ROW (1.1±C=3.0)