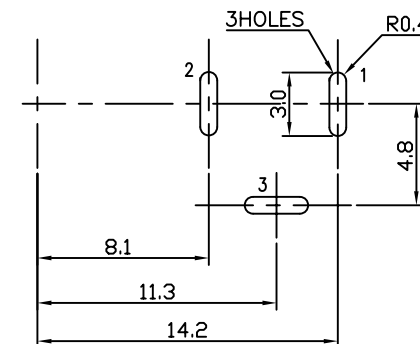
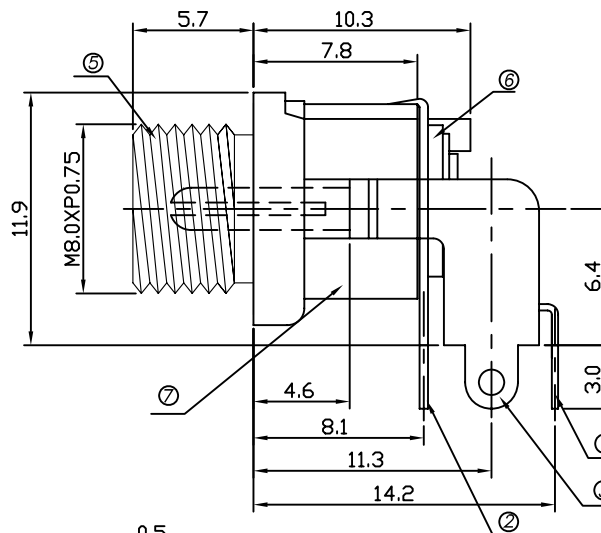
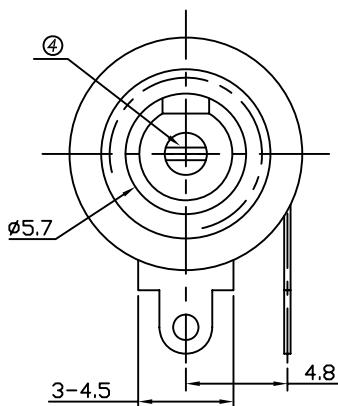
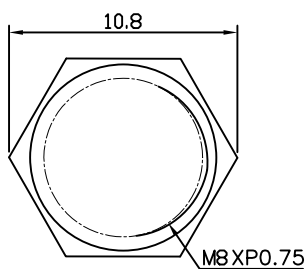


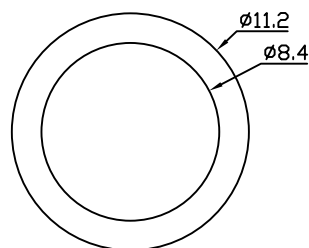
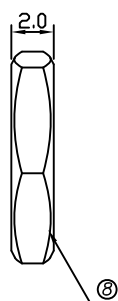
CAT NO.	PIN	SCHEMATIC
DCJ-RPBT5NW-20	Ø2.0	



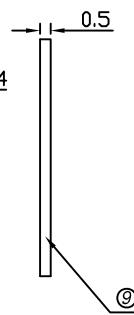
T:1.6 Dimensions of PC board holes
Tolerance : ±0.05(Printed-Top view)



Nut



Washer



9	WASHER	1	H59(COPPER ALLOY)	Ni PLATED
8	NUT	1	H59(COPPER ALLOY)	Ni PLATED
7	HOUSING	1	PBT 4815	UL-94V0(BLACK)
6	INSULATOR	1	PF	
5	AXIS SUPPORT	1	H59(COPPER ALLOY)	Ni PLATED
4	PIN	1	H59(COPPER ALLOY)	Ni PLATED
3	SHUNT TERMIALN	1	C2680	Sn PLATED
2	TIP SPRING	1	C5191	Sn PLATED
1	CENTER PIN TERMINAL	1	C2680	Sn PLATED
LTR	PART NAME	QTY	MATERIAL	REMARK

UNLESS OTHERWISE SPECIFIED, TOLERANCE ON DECIMAL:±0.3

RoHS Compliant

TOLERANCES ARE

MORETHANALL
PCB CONNECTORS
Cable ASSEMBLIES

DRAWING BY CY

X, ±

CHECKED BY GENIUS

.X ±

UNIT / mm

SCALE 1 : 1

.XX ±

DATE

.XXX ±

ANG ±

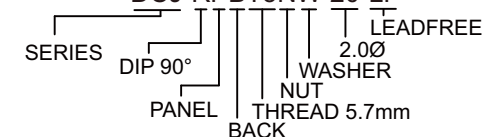
SIZE A4

P PROJECTION



ORDER INFORMATION

DCJ-RPBT5NW-20-LF



煜倫股份有限公司

www.morethanall.com

DESCRIPTION: DC POWER JACK