

NOTES 1:

UL Standard :

- 1.Rating: 300V 15A
- 2.Insulation Withstands Voltage:
AC 2000V at 1 minute
- 3.Using Temperature Range:
-40°C~+115°C
- 4.Suitable Electric Wire: AWG 28~12

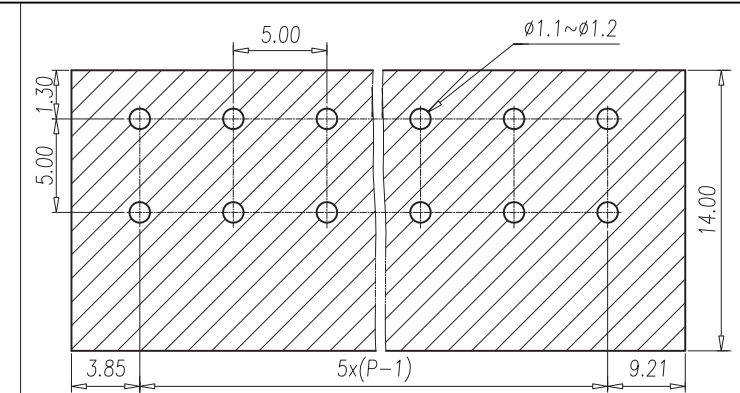
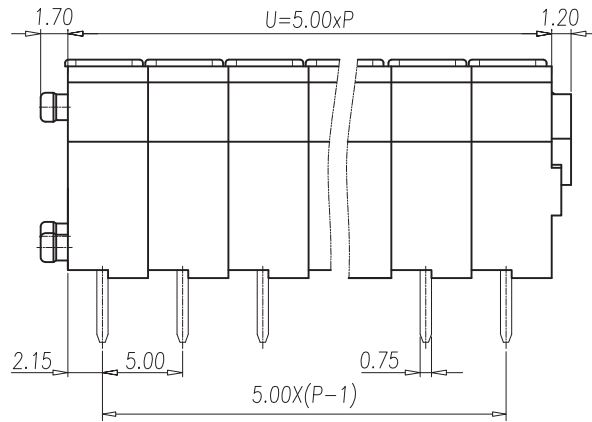
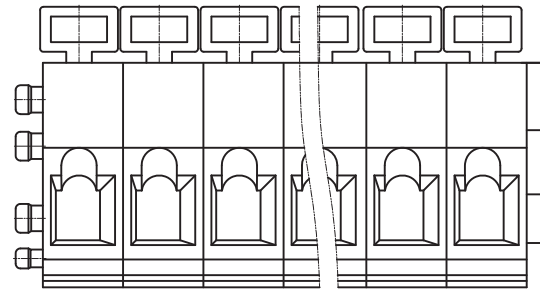
IEC Standard:

- 1.Rating: 450V 24A
- 2.Rate Impulse Voltage: 4000V
- 3.Insulation Resistance:
500MΩ or more at DC500V
- 4.Material Group: I
- 5.Pollution Degree: 2
- 6.Overtoltage Category: III
- 7.Using Temperature Range:
-40°C~+110°C
- 8.Suitable Electric Wire: 0.5~2.5mm²

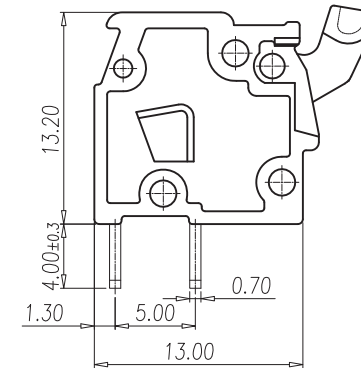
NOTES 2:

- 1.RoHS compliance
- 2.Strip Length: 6~7mm

Normal Geometric Tolerancing			
—	//	≡	⊥
0 to 100	0.2	0.3	0 to 10
over 100 to 150	0.3		over 10
over 150	0.5		over 10
Total Pitch Tolerances		Normal Dimension Tolerances	
0~30	±0.20	0~30	±0.25
over 30~53	±0.25	over 30~53	±0.30
over 53~70	±0.30	over 53~70	±0.35
over 70~90	±0.35	over 70~90	±0.44
over 90~115	±0.44	over 90~115	±0.55
over 115~150	±0.55	over 115~150	±0.70
over 150~200	±0.70	over 150~200	±0.85
over 200~250	±0.85	over 200~250	±1.00
over 250~320	±1.00	over 250~320	±1.20



PCB LAYOUT



ITEM	NAME OF PART	MATERIAL	NOTES
4	LEVER	POM	UL94-HB WHITE
3	SOLDER PIN	COPPER ALLOY	Tin Plated
2	CLAMP	STEEL	
1	HOUSING	PA	UL94-V0 GREY

RoHS Compliant

TOLERANCES ARE

MORETHANALL
PCB CONNECTORS
Cable ASSEMBLIES

DRAWING BY CY

CHECKED BY GENIUS

UNIT / mm

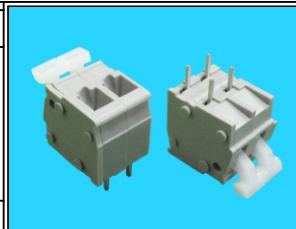
SCALE 1 : 1

DATE

SIZE A4

X, ±
.X ±
.XX ±
.XXX ±
ANG ±

P PROJECTION



ORDER INFORMATION

TBX050-D13B-xx-LF

SERIES

LEADFREE

01~24WAY

TWO LEG

HIGH 13.2mm

DIP180°

DESCRIPTION:

煜倫股份有限公司

www.morethanall.com