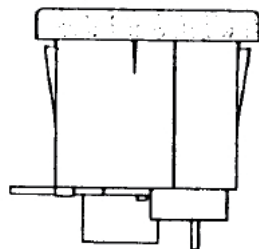
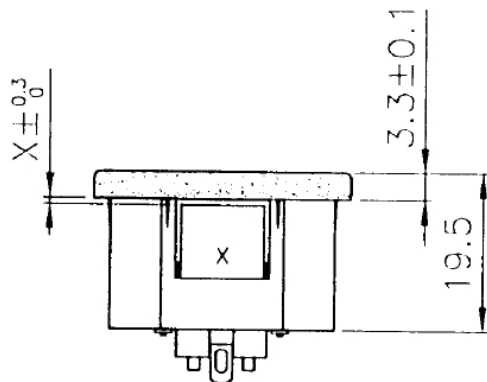
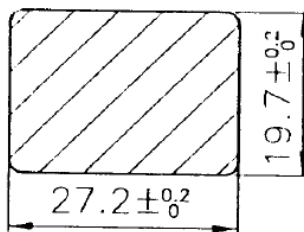


Rating: 15A 250V AC  
 Approvals: UL/CSA  
 Rating: 10A 250V AC  
 Approvals: VDE/KEMA/SEV  
 DEMKO/NEMKO  
 SEMKO/FIMKO/CCC

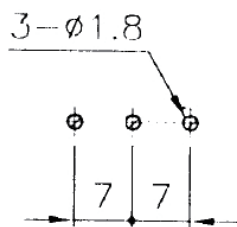


PART LIST

Part No.	X	Color
<b>ACF-PRPA08-03</b>	0.8	Black
<b>ACF-PRPA10-03</b>	1.0	Black
<b>ACF-PRPA12-03</b>	1.2	Black
<b>ACF-PRPA15-03</b>	1.5	Black
<b>ACF-PRPA20-03</b>	2.0	Black
<b>ACF-PRPA30-03</b>	3.0	Black



PANEL CUTOUT  
 THICKNESS X mm



P.C.B. LAYOUT

5	Soldering PIN Brass Strip t=0.8mm Tin-Plated	2
4	Soldering PIN Brass Strip t=0.8mm Tin-Plated	1
3	Contact PIN Brass Strip t=2mm Ni-Plated	2
2	Contact PIN Brass Strip t=2mm Ni-Plated	1
1	Body Insulator PC OR PBT Black Color	1

RoHS Compliant

TOLERANCES ARE

**MORETHANALL**  
 PCB CONNECTORS  
 Cable ASSEMBLIES

煜倫股份有限公司

www.morethanall.com

DRAWING BY CY

CHECKED BY GENIUS

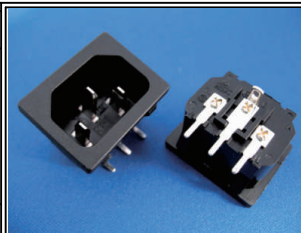
UNIT/mm  
 DATE

SCALE 1:1

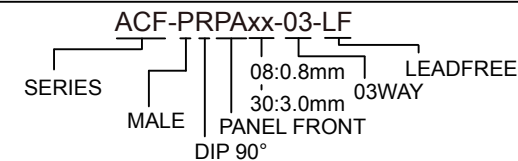
SIZE A4

PJECTION

X, ±  
 .X, ±  
 .XX, ±  
 .XXX, ±  
 ANG, ±



ORDER INFORMATION



DESCRIPTION: