

PCB LAYOUT/TOP VIEW

※凡標註 △ 記號者為品管管制尺寸。

**MATERIALS:**

PLASTIC HOUSING: HIGH TEMP. THERMOPLASTIC  
FLAMMABILITY RATING UL 94V-0.

CONTACTS: PHOSPHOR BRONZE

PLATING: GOLD PLATING OVER NICKEL IN CONTACT.  
TIN PLATING OVER NICKEL IN SOLDER AREA.

**RoHS Compliant**

**MORETHANALL**  
PCB CONNECTORS  
Cable ASSEMBLIES

煜倫股份有限公司

www.morethanall.com

DRAWING BY CY

CHECKED BY GENIUS

UNIT/mm SCALE 1:1

DATE

SIZE A4

**TOLERANCES ARE**

X. ± 0.50  
.X ± 0.38  
.XX ± 0.25  
.XXX ± 0.10  
ANG ± 3°

PJECTION



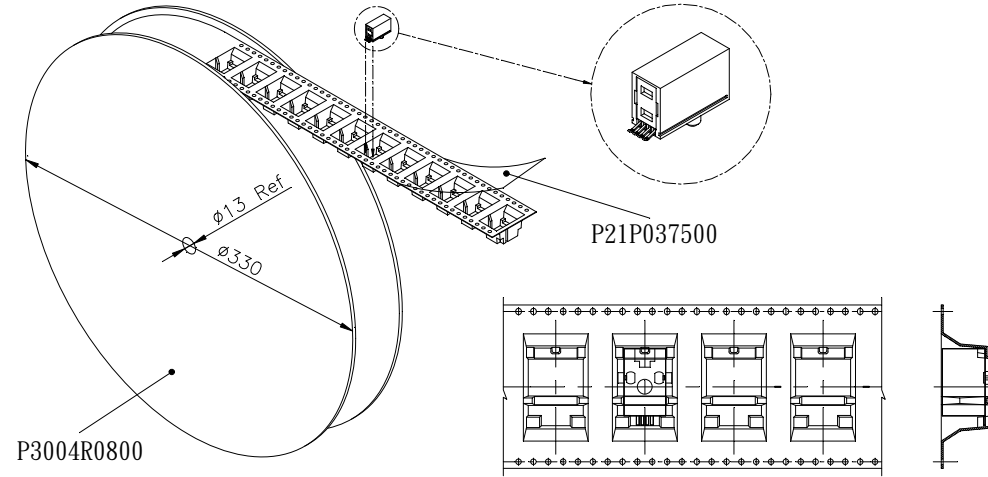
**ORDER INFORMATION**

MJW11-KX06PR-0404-LF

SERIES REEL POST  
BLACK 06u" GOLD NON EAR  
4P4C LEADFREE

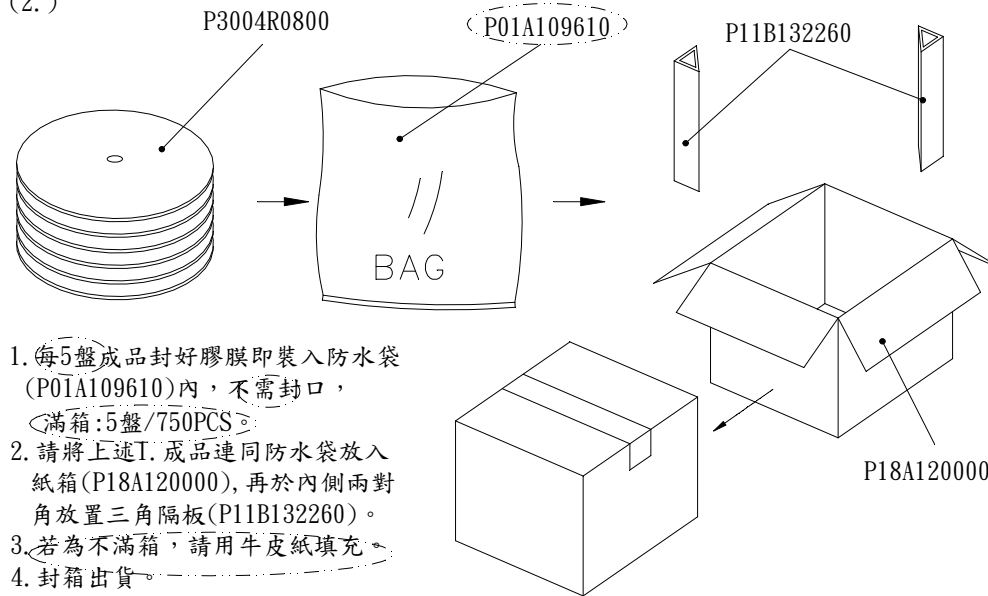
DESCRIPTION:

(1.)



1. 請將組立完成之成品依圖面標示方向順序放入P3004R0800內，前空5格，後空5格，封上 P21P037500，每盤裝150 PCS。(請注意捲帶方向)

(2.)



1. 每5盤成品封好膠膜即裝入防水袋 (P01A109610)內，不需封口，  
 (滿箱:5盤/750PCS)  
 2. 請將上述1. 成品連同防水袋放入紙箱(P18A120000)，再於內側兩對角放置三角隔板(P11B132260)。  
 3. 若為不滿箱，請用牛皮紙填充。  
 4. 封箱出貨。

RoHS Compliant

TOLERANCES ARE

**MORETHANALL**  
 PCB CONNECTORS  
 Cable ASSEMBLIES

煜倫股份有限公司

www.morethanall.com

DRAWING BY CY

CHECKED BY GENIUS

UNIT/mm

SCALE 1:1

DATE

SIZE A4

PJECTION

X. ± 0.50  
 .X ± 0.38  
 .XX ± 0.25  
 .XXX ± 0.10  
 ANG ± 3°

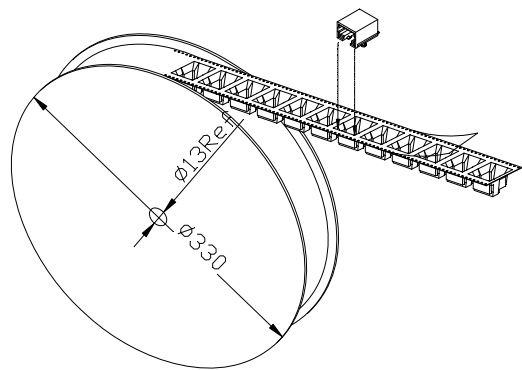
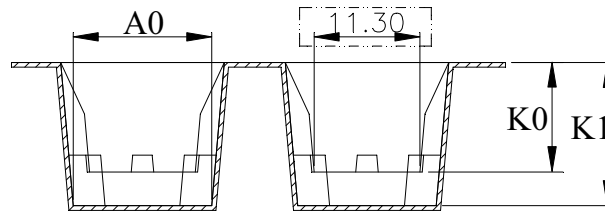
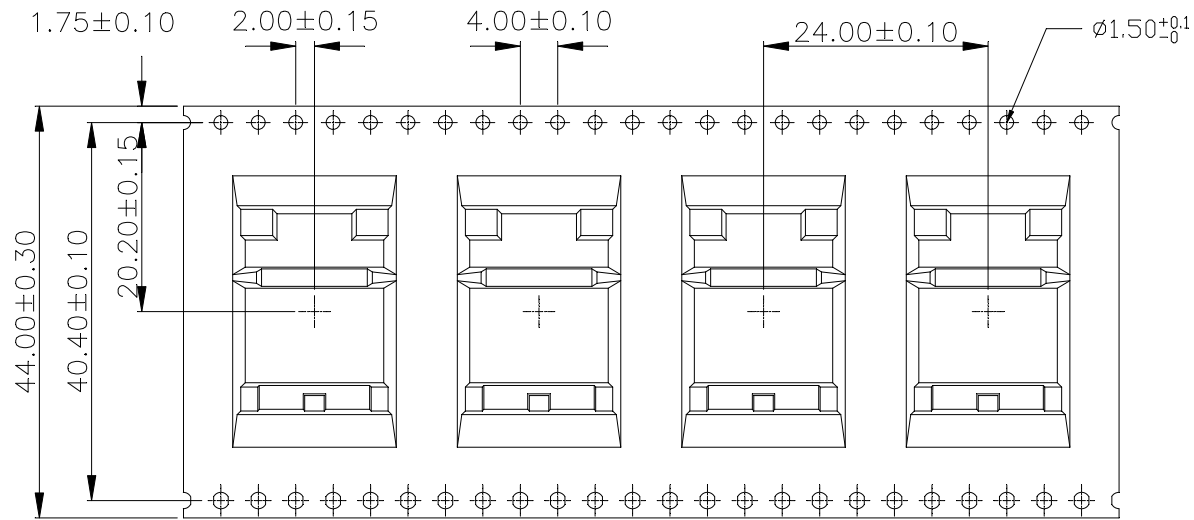


ORDER INFORMATION

MJW11-KX06PR-0404-LF

SERIES REEL POST  
 BLACK 06u" GOLD NON EAR  
 4P4C LEADFREE

DESCRIPTION:



A0	14.80±0.15
B0	20.90±0.15
K0	11.70±0.15
K1	15.30±0.20

1. 10 sprocket hole pitch cumulative tolerance  $\pm 0.20$ .
2. Carrier camber is within 1 mm in 250 mm.
3. Material : Black Conductive Polystyrene Alloy.
4. All dimensions meet EIA-481 requirements.
5. Thickness :  $0.50 \pm 0.05$  mm.
6. Packing length per 13" reel : 3.84 Meters (1:1).
7. Component load per 13" reel : 160 pcs.

適用範圍:

4P 有/無塑腳、金屬片直立/折平、無金屬殼 SMT TYPE 系列.

RoHS Compliant

**MORETHANALL**  
PCB CONNECTORS  
Cable ASSEMBLIES

煜倫股份有限公司

www.morethanall.com

DRAWING BY CY

CHECKED BY GENIUS

UNIT / mm SCALE 1 : 1

DATE

SIZE A4

TOLERANCES ARE

X,  $\pm 0.50$   
 .X,  $\pm 0.38$   
 .XX,  $\pm 0.25$   
 .XXX,  $\pm 0.10$   
 ANG  $\pm 3^\circ$

P PROJECTION



ORDER INFORMATION

MJW11-KX06PR-0404-LF

SERIES | REEL | LEADFREE  
 | POST | 4P4C  
 BLACK | 06u" GOLD  
 | NON EAR

DESCRIPTION: