

PCB LAYOUT/TOP VIEW

※ 凡標註 \triangle 記號者為品管管制尺寸。
 請注意第3,4項端子與鐵腳平面度公差需一致(同為正或同為負)。

RoHS Compliant

TOLERANCES ARE

MORETHANALL
 PCB CONNECTORS
 Cable ASSEMBLIES

DRAWING BY CY

X, ±
 .X ± 0.20

CHECKED BY GENIUS

.XX ± 0.10

UNIT / mm

SCALE 1 : 1

.XXX ±

ANG ±

DATE

SIZE A4

PPOJECTION



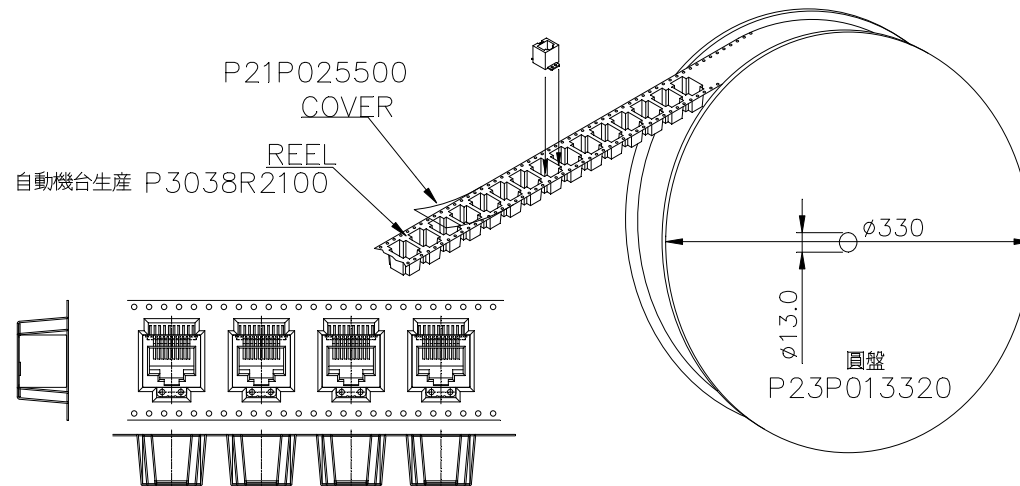
ORDER INFORMATION

MJV-KX06R-0808-LF
 SERIES REEL 8P8C LEADFREE
 06u" GOLD
 NON EAR
 BLACK

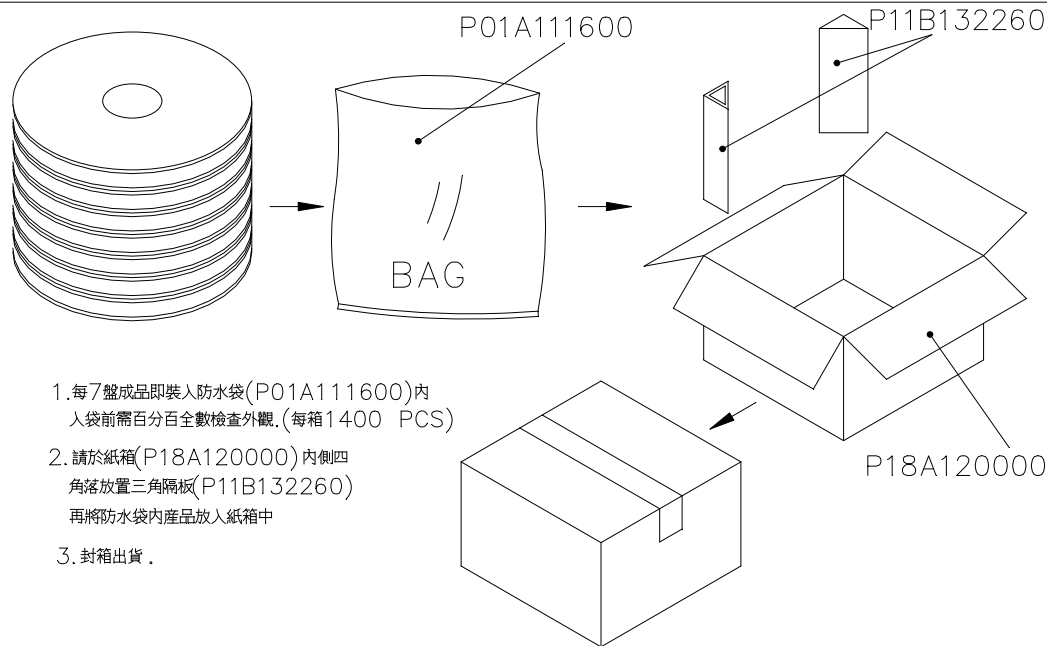
煜倫股份有限公司

www.morethanall.com

DESCRIPTION:



1. 請將組立完成之成品依圖面標示方向順序放入口袋內，前空5格，後空5格，封上P21P025500，每盤裝200 Pcs.



1. 每7盤成品即裝入防水袋(P01A111600)內
入袋前需百分百全數檢查外觀。(每箱1400 PCS)
2. 請於紙箱(P18A120000)內側四
角落放置三角隔板(P11B132260)
再將防水袋內產品放入紙箱中
3. 封箱出貨.

RoHS Compliant

TOLERANCES ARE

MORETHANALL
PCB CONNECTORS
Cable ASSEMBLIES

煜倫股份有限公司

www.morethanall.com

DRAWING BY CY

CHECKED BY GENIUS

UNIT / mm

SCALE 1 : 1

DATE

SIZE A4

PPOJECTION

X, ±
.X ± 0.20
.XX ± 0.10
.XXX ±
ANG ±



ORDER INFORMATION

MJV-KX06R-0808-LF
SERIES REEL 8P8C LEADFREE
06u" GOLD
NON EAR
BLACK

DESCRIPTION: