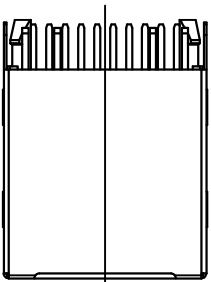


MATERIAL:

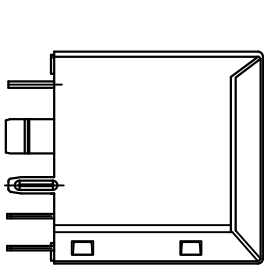
HOUSING: PBT,UL94V-0,BLACK.
 TERMINALS BRACKET: PBT,UL94V-0,BLACK.
 SHIELD: C2680,T=0.20MM,NICKEL PLATING ON ALL AREA.
 TERMINAL: PHOSPHOR BRONZE C5210,T=0.35MM,
 6U" GOLD PLATING ON CONTACT AREA.

MECHANICAL:

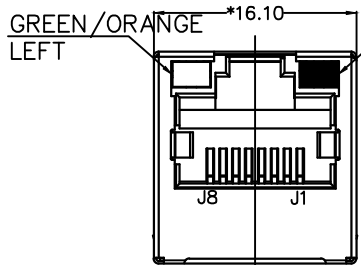
DURABILITY: 750 CYCLES MIN.
 MATING FORCE: 23N MAX.
 OPERATING TEMPERATURE: -40°C~+85°C.
 STORAGE TEMPERATURE: -40°C~+85°C.
 ALL CRITICAL DIMENSIONS WITH "*"



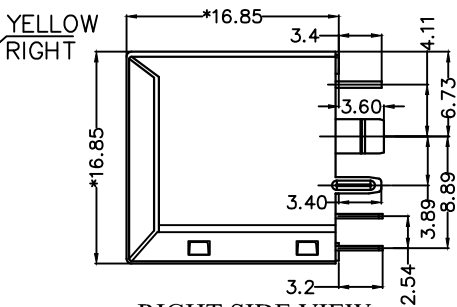
TOP VIEW



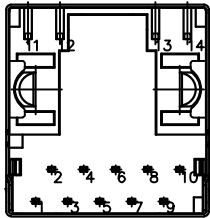
LEFT SIDE VIEW



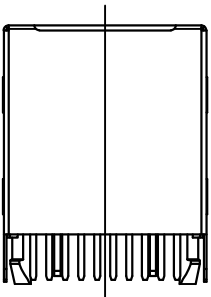
FRONT VIEW



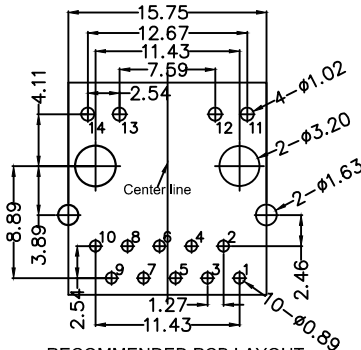
RIGHT SIDE VIEW



BACK VIEW



BOTTOM VIEW



RECOMMENDED PCB LAYOUT
 VIEWED FROM COMPONENT SIDE

RoHS Compliant

TOLERANCES ARE

MORETHANALL
 PCB CONNECTORS
 Cable ASSEMBLIES

DRAWING BY CY

CHECKED BY GENIUS

UNIT / mm

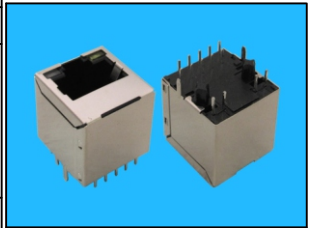
SCALE 1 : 1

DATE

SIZE A4

PJECTION

X, ±
 .X ± 0.25
 .XX ± 0.15
 .XXX ± 0.05
 ANG ±



ORDER INFORMATION

MJDF16T056UL-KX06B38GOYX-0808

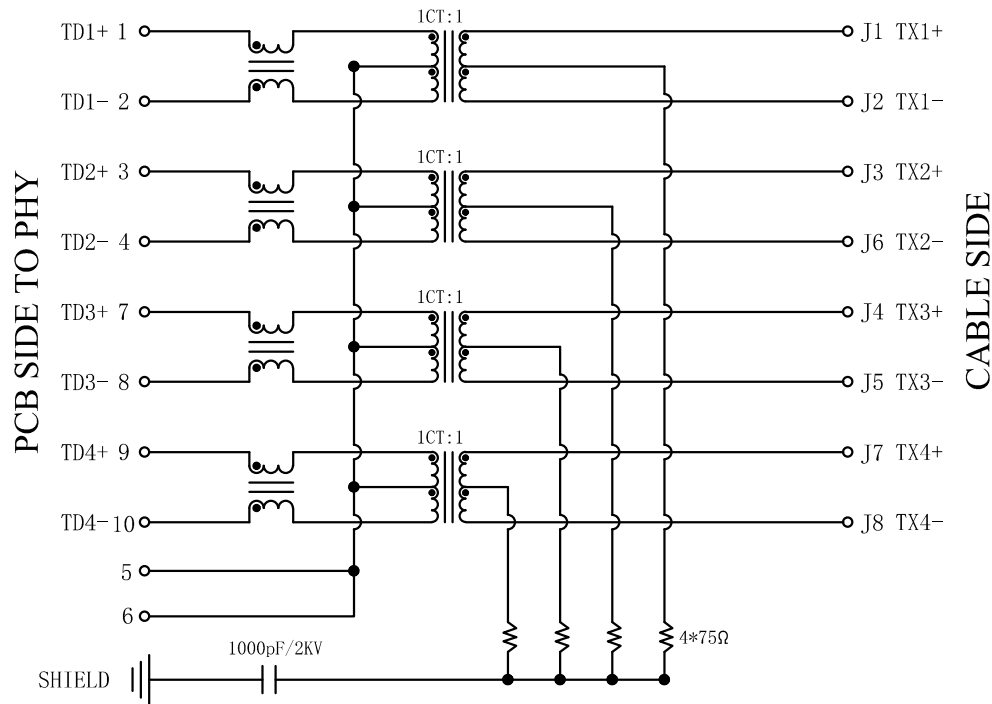
SERIES

8P8C
 LEFT / RIGHT
 GREEN ORANGE / YELLOW
 REAR TAB 3.89mm
 BLACK 06u" GOLD
 NON EAR

DESCRIPTION:

煜倫股份有限公司

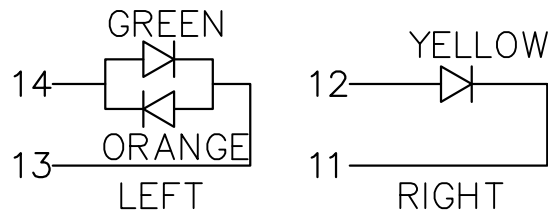
www.morethanall.com



Electrical:

- Turn ratio: 1~2: J1~J2=1CT:1CT(±2%).
3~4: J3~J6=1CT:1CT(±2%).
7~8: J4~J5=1CT:1CT(±2%).
9~10: J7~J8=1CT:1CT(±2%).
- OCL: 350uH Min. at 100KHz 100mV 8mA DC.
- Insertion Loss: -1.0 dB Max 1~100MHz.
- Return loss: -18dB Min 1~30MHz;
-14dB Min 30~60MHz.
-12dB Min 60~80MHz.
-10dB Min 80~100MHz.
- Cross talk: -40dB Min 1~30MHz;
-35dB Min 30~60MHz;
-30dB Min 60~100MHz;
- CMR: -30dB Min 1~100MHz;
- Hi-Pot: 2250V DC 6S 1mA PRI TO SEC

LED Specification



Standard LED Color	LED Wavelength	Foward(A)	Foward(V)
Green	568nm	20mA	1.85-2.45V
Yellow	585nm	20mA	1.7-2.2V
Orange	585nm	20mA	1.8-2.8V

RoHS Compliant

TOLERANCES ARE

MORETHANALL
PCB CONNECTORS
Cable ASSEMBLIES

DRAWING BY CY

CHECKED BY GENIUS

UNIT / mm

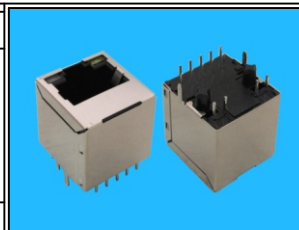
SCALE 1 : 1

DATE

SIZE A4

X, ±
.X ± 0.25
.XX ± 0.15
.XXX ± 0.05
ANG ±

PPOJECTION



ORDER INFORMATION

MJDF16T056UL-KX06B38GOYX-0808

SERIES

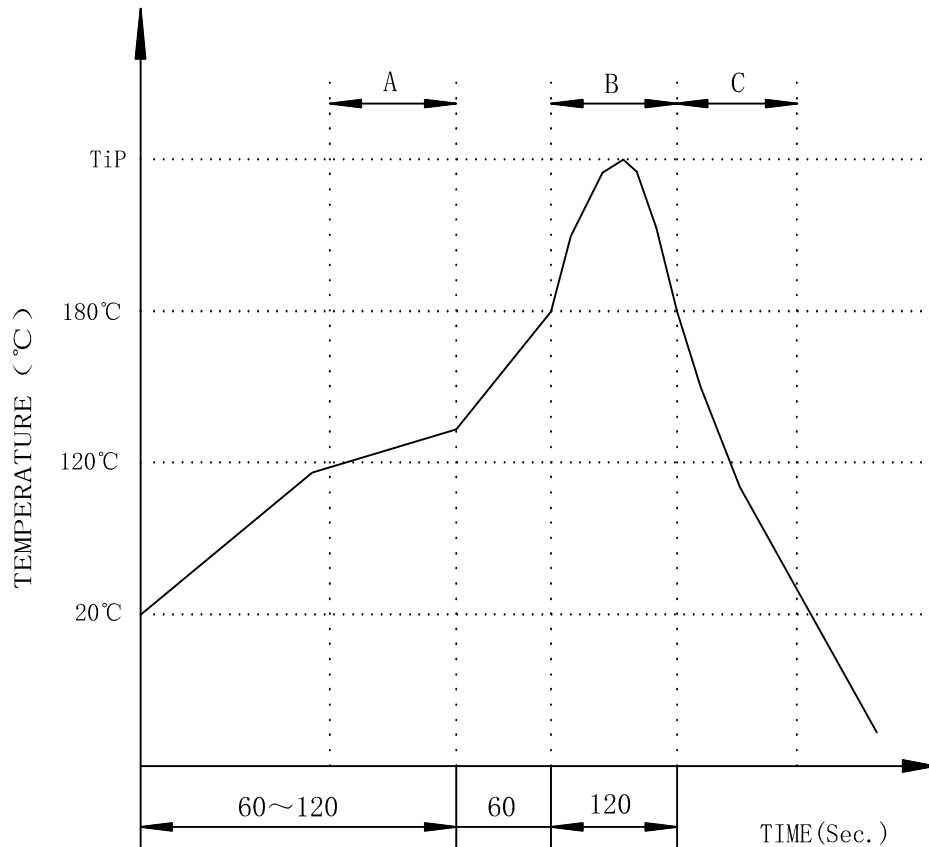
BLACK | 06u" GOLD | NON EAR | 8P8C
LEFT / RIGHT
GREEN ORANGE / YELLOW
REAR TAB 3.89mm

煜倫股份有限公司

www.morethanall.com

DESCRIPTION:

PROFILE OF WAVE SOLDER



A.Preheating B.Soldering C.Gradual Cooling
 Tip temperature:260±5°C.
 Tip temperature time:5Sec Max.
 Tip melting point of Sn96.5/Ag3/Cu0.5:217°C.

Remarks: after wave soldering, the plastic positioning columns of the product which under the PCB will be slightly melted, but it won't affect its function.

RoHS Compliant

TOLERANCES ARE

MORETHANALL
 PCB CONNECTORS
 Cable ASSEMBLIES

DRAWING BY CY

X. ±

CHECKED BY GENIUS

.X ± 0.25

UNIT / mm

SCALE 1 : 1

.XX ± 0.15

.XXX ± 0.05

DATE

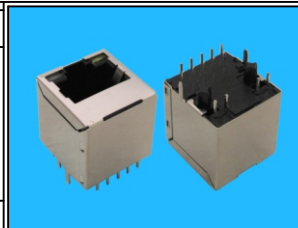
ANG ±

煜倫股份有限公司

www.morethanall.com

SIZE A4

P PROJECTION



ORDER INFORMATION

MJDF16T056UL-KX06B38GOYX-0808

SERIES

8P8C

LEFT / RIGHT
 GREEN ORANGE / YELLOW
 REAR TAB 3.89mm
 BLACK 06u" GOLD
 NON EAR

DESCRIPTION: