

Specifications
 Current Rating: 3Amp
 Insulation Resistance: 1000MΩ Min.
 Dielectric Withstanding Voltage: 600VAC
 Contact Resistance: 20mΩ Max.
 Operating Temperature: -40°C to +105°C
 Materials
 Contact Material: Phosphor Bronze
 Insulator Material: High Temperature Thermoplastic, UL 94V-0 Nylon 6T (Halogen Free) or the equivalent material

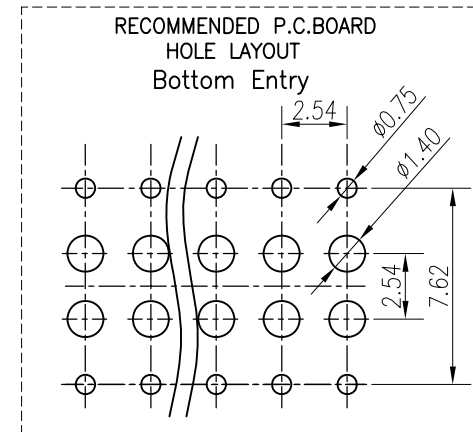
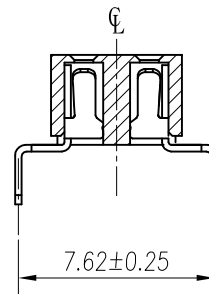
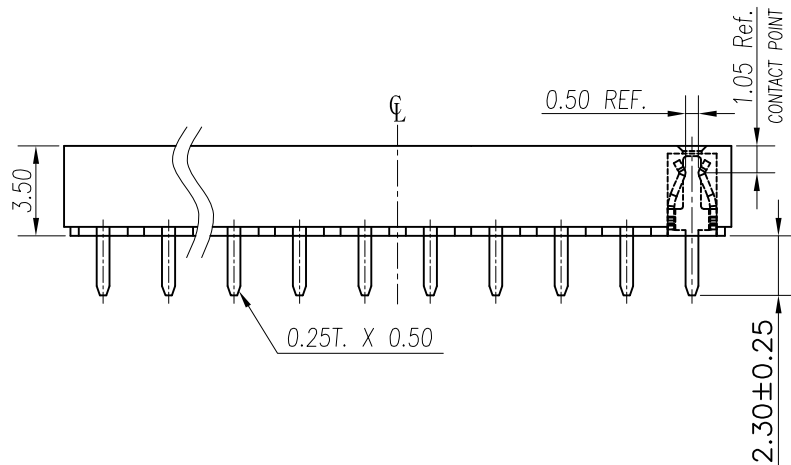


TABLE 2

No. of PIN/ROW	Dimension Dim.A	Dimension Dim.B
02	5.58	2.54
03	8.12	5.08
04	10.66	7.62
05	13.20	10.16
06	15.74	12.70
07	18.28	15.24
08	20.82	17.78
09	23.36	20.32
10	25.90	22.86
11	28.44	25.40
12	30.98	27.94
13	33.52	30.48
14	36.06	33.02
15	38.60	35.56
16	41.14	38.10
17	43.68	40.64
18	46.22	43.18
19	48.76	45.72
20	51.30	48.26
21	53.84	50.80
22	56.38	53.34
23	58.92	55.88
24	61.46	58.42
25	64.00	60.96
26	66.54	63.50
27	69.08	66.04
28	71.62	68.58
29	74.16	71.12
30	76.70	73.66
31	79.24	76.20
32	81.78	78.74
33	84.32	81.28
34	86.86	83.82
35	89.40	86.36
36	91.94	88.90
37	94.48	91.44
38	97.02	93.98
39	99.56	96.52
40	102.10	99.06

RoHS Compliant

TOLERANCES ARE

MORETHANALL
 PCB CONNECTORS
 Cable ASSEMBLIES

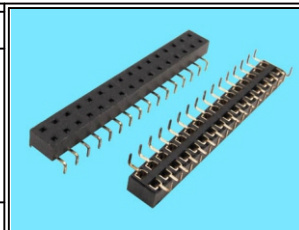
DRAWING BY CY
 CHECKED BY GENIUS
 UNIT / mm SCALE 1 : 1
 DATE

X, ±
 X, ±
 .XX ±
 .XXX ±
 ANG ±

煜倫股份有限公司

www.morethanall.com

SIZE A4 PPROJECTION



ORDER INFORMATION

F-B76H35-2Xxx-LF
 SERIES LEADFREE
 2X02:04WAY
 2X40:80WAY
 HIGH 3.5mm
 BOTTOM BNTRY 7.62mm

DESCRIPTION: 2.54 Female Header Dual Rows DIP Type Connector