

产品说明 Product Description:

1.表面处理 Surface treatment:

电镀Sn(亮锡), 膜厚1.5~4.0um Bright tin plating, thickness: 1.5~4.0um

2.外观 Appearance:

>30CM距离, <5S目视, 无腐蚀、刮伤、氧化
No corrosion, scratches, oxidation on surface

Inspection condition:

Inspect from >30cm away and for <5 seconds

3.盐雾测试 Salt spray test:

24h, 等级7级(GB)

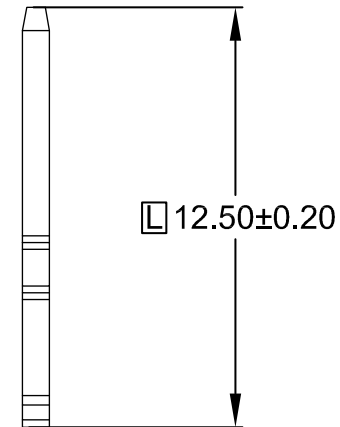
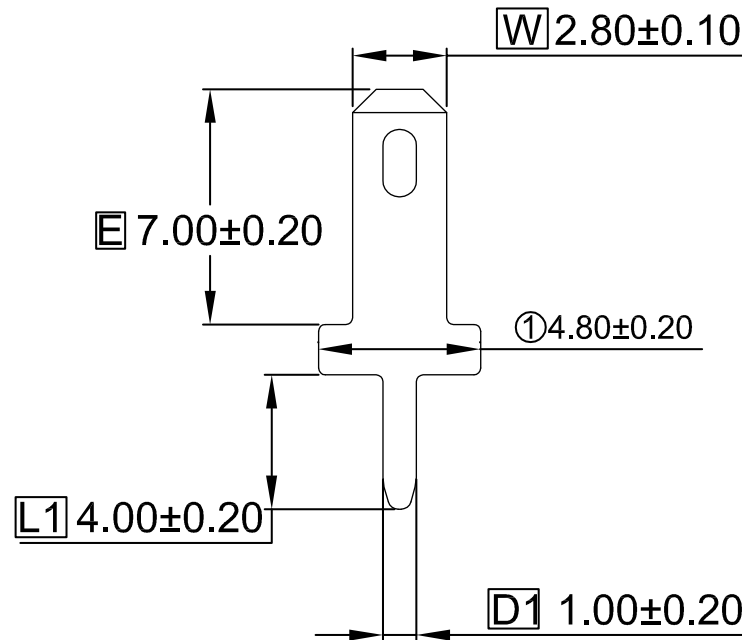
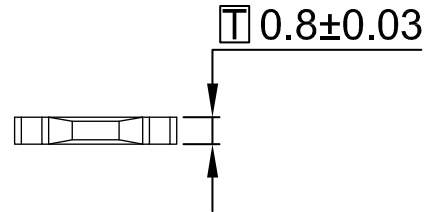
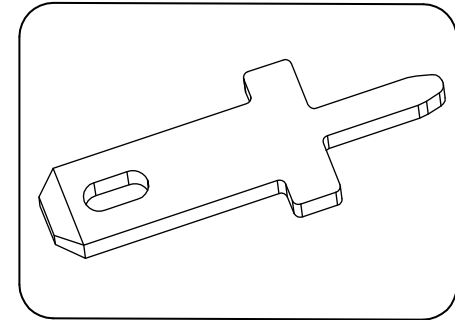
24 hours, grade 7 (GB)

4.环保: 符合ROHS&REACH

RoHS&REACH compliance: Yes

材质 Material 黄铜Brass(C2680)

包装数量 Packing Q' TY 10000Pcs/Bag



RoHS Compliant

TOLERANCES ARE

MORETHANALL
PCB CONNECTORS
Cable ASSEMBLIES

煜倫股份有限公司

www.morethanall.com

DRAWING BY CY

CHECKED BY GENIUS

UNIT / mm

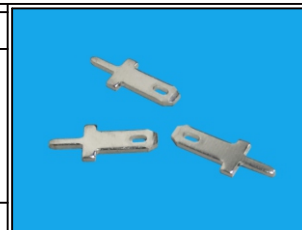
SCALE 1 : 1

DATE

SIZE A4

PPOJECTION

X, ±
.X ± 0.20
.XX ± 0.10
.XXX ± 0.05
ANG ±



ORDER INFORMATION

Q110-MD8-12D10-LF
SERIES | | | | LEADFREE
DIP 1.0mm
LONG 12.5mm
THICKNESS 0.8mm
DIP 180°
MALE

DESCRIPTION: