

NOTE:
CAVITY CONFIRMS TO FCC RULES AND REGULATIONS PART 68, SUBPART F.

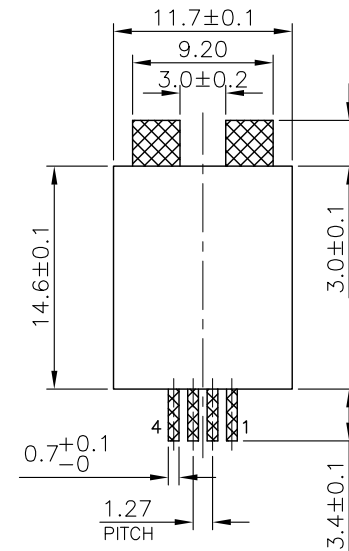
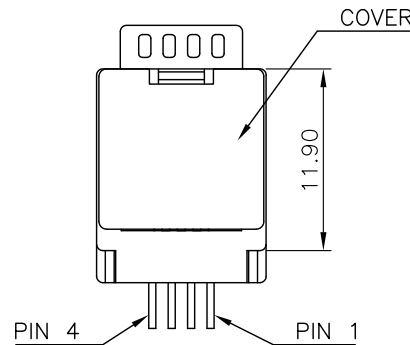
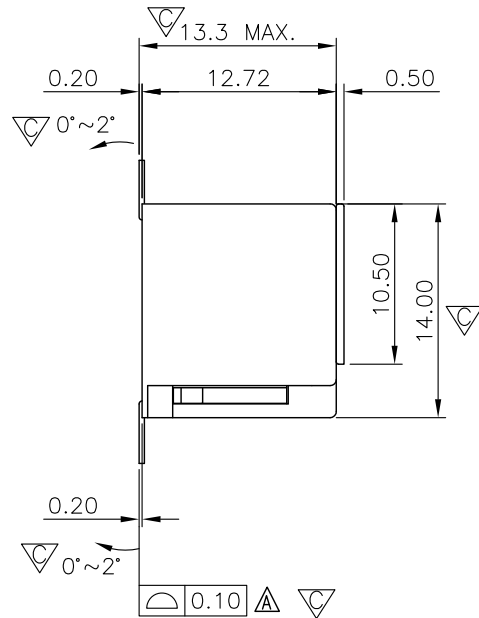
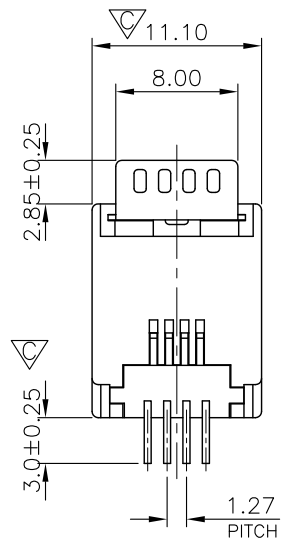
1. MATERIAL:

- 1.1 HOUSING: PA9T, WITH GLASS FIBER, UL94V-0, STANDARD COLOR-BLACK.
- 1.2 INSERT HOUSING & COVER: PA46, WITH GLASS FIBER, UL94V-0, STANDARD COLOR-BLACK.
- 1.3 CONTACTS: PHOSPHOR BRONZE.
- 1.4 HOLD DOWN: BRASS.

2. FINISH:

- 2.1 CONTACTS: GOLD PLATED ON CONTACT AREA, GOLD FLASH ON SOLDER TAIL, 1.27 μ m [50 μ "] MIN. NICKEL UNDERPLATED OVERALL.
- 2.2 HOLD DOWN: 1.27 μ m [50 μ "] MIN. MATTE TIN PLATED.

3. "C" SHOWS QIP INSPECTION POINT.



RECOMMENDED PCB LAYOUT
PCB THICKNESS: 1.6mm
TOLERANCE: ± 0.05 mm (TOP VIEW)

RoHS Compliant

TOLERANCES ARE

MORETHANALL
PCB CONNECTORS
Cable ASSEMBLIES

煜倫股份有限公司

www.morethanall.com

DRAWING BY CY

CHECKED BY GENIUS

UNIT / mm

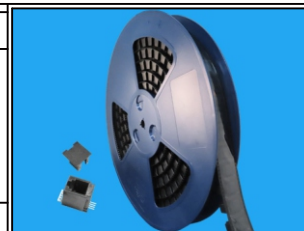
SCALE 1 : 1

DATE

SIZE A4

PJECTION

X, \pm
.X \pm 0.25
.XX \pm 0.13
.XXX \pm 0.05
ANG \pm



ORDER INFORMATION

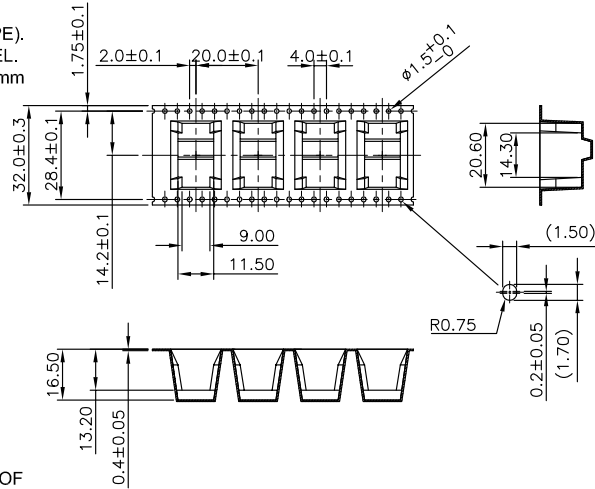
MJV13-KX06CR-0404-LF

SERIES REEL COVER NON EAR
BLACK 06u" GOLD
4P4C LEADFREE

DESCRIPTION: 4POSITION, SMT TYPE, TOP ENTRY PCB JACK

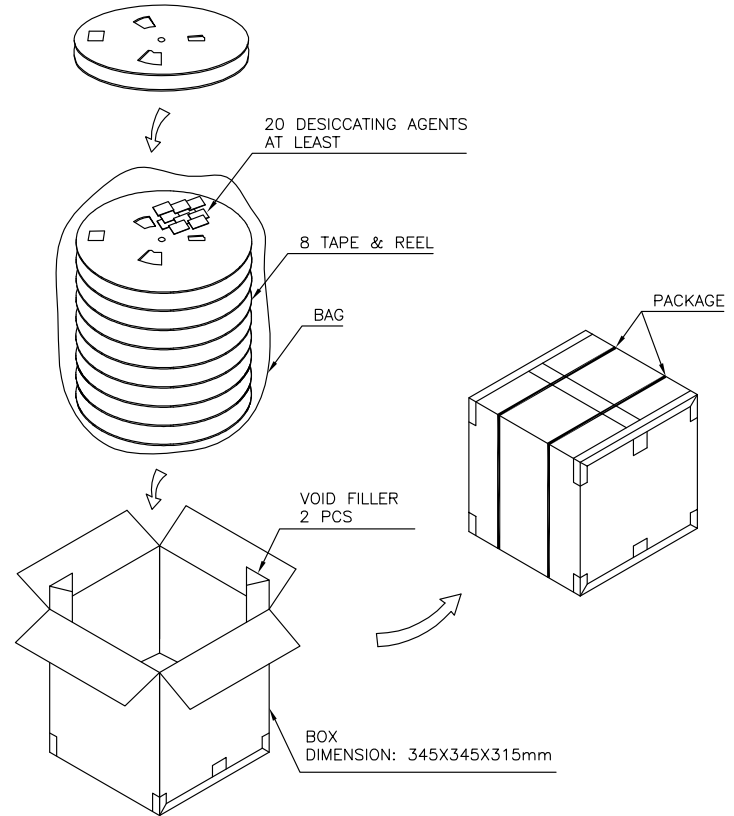
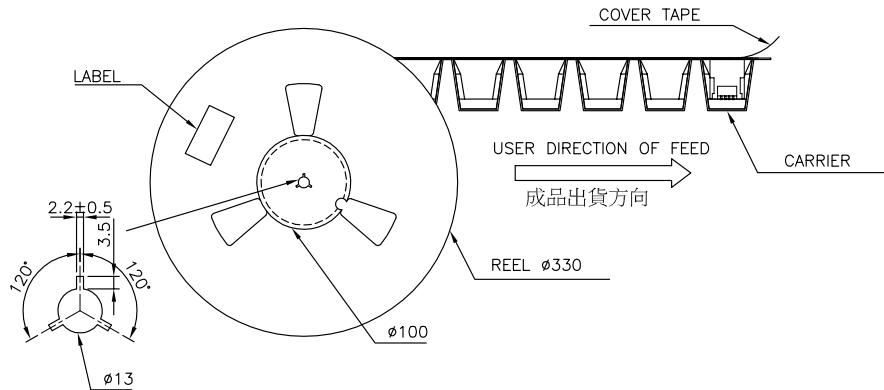
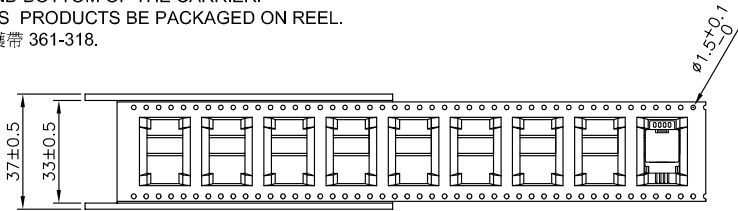
MATERIALS:

- 1.CARRIER-PS (0.40mm THICK TAPE).
- 2.REEL-2mmTHICK PLASTIC WHEEL.
- 3.COVER TAPE-PE (0.045mm-0.12mm THICK TAPE).



NOTES:

1. 10 EMPTY CAVITIES FOR BOTH OF TOP AND BOTTOM OF THE CARRIER.
2. 180 PCS PRODUCTS BE PACKAGED ON REEL.
3. 軸外保護帶 361-318.



- KG	- KG	1440	8	180
GROSS WEIGHT (REF.)	NET WEIGHT (REF.)	PCS/BOX	REELS/BOX	PCS/REEL

RoHS Compliant

TOLERANCES ARE

MORETHANALL
PCB CONNECTORS
Cable ASSEMBLIES

DRAWING BY CY

CHECKED BY GENIUS

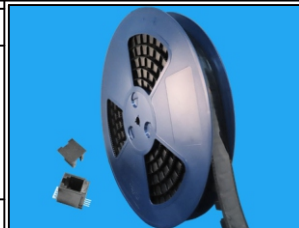
UNIT / mm SCALE 1 : 1

DATE

SIZE A4

X, ±
X, ± 0.25
.XX, ± 0.13
.XXX, ± 0.05
ANG ±

P PROJECTION



ORDER INFORMATION

MJV13-KX06CR-0404-LF

SERIES REEL COVER NON EAR
4P4C
06u" GOLD
LEADFREE
BLACK

DESCRIPTION: 4P用 TAPE & REEL PACKAGE SPEC.

煜倫股份有限公司

www.morethanall.com