

TECHNICAL CHARACTERISTICS

1. General Characteristics

Dimensions: 62.00L x 40.00W x 7.65H mm

62.00L x 40.00W x 8.40H mm

62.00L x 40.00W x 9.00H mm

62.00L x 40.00W x 9.40H mm

62.00L x 40.00W x 9.75H mm

62.00L x 40.00W x 11.80H mm

Standoff H=1.40,2.15,2.75,3.15,3.50,5.55 mm

Weight: Approx. 6.5 ~ 7.05 g

Contact principle: Friction technology

Operating position: Shaft up / Down / Horizontal

Mounting System: Thru-Hole with snap-in lock

Durability: 100,000 cycles min.

2. Mechanical Characteristics

Insulation material: Thermoplastic, UL 94V-0

RoHS Directive 2011/65/EU Compliant

3. Electrical Characteristics

Number of contacts: 8 pins

Contact resistance: 50 mΩ typical, 100 mΩ max.

Insulation resistance: >1000 MΩ / 500 VDC

Switch type: Blade

Operation: Normally Open

4. Solderability

Wave: 260°C, 5 sec. Max.

IR reflow: Not applicable

Manual soldering: 360°C, 3 sec. Max.

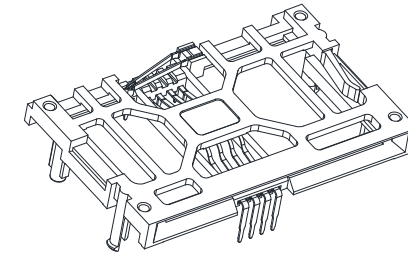
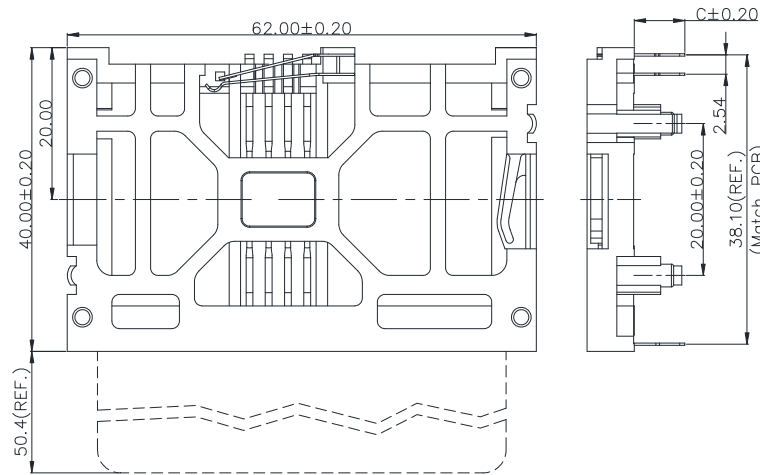
5. Environmental Characteristics

Operating temperature: - 40°C ~ + 85°C

Operating humidity: 10 % ~ 95 % RH

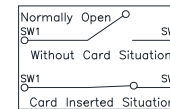
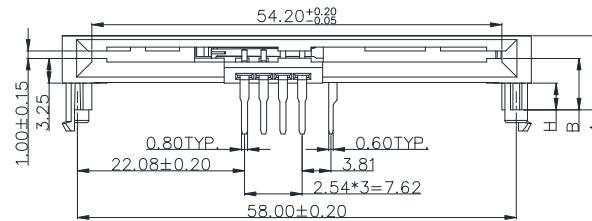
Storage temperature: - 40°C ~ + 85°C

Storage humidity: 10 % ~ 95 % RH

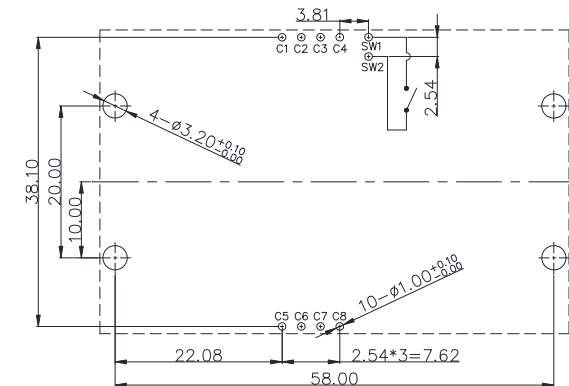


EMV & NDS Compliant

Standoff H	Total A	Dim. B	Dim. C
1.40	7.65	4.65	4.60
2.15	8.40	5.40	5.35
2.75	9.00	6.00	5.95
3.15	9.40	6.40	6.35
3.50	9.75	6.75	6.70
5.55	11.80	8.80	8.75



Unit: mm; Tolerances: ±0.15 mm
Mechanical outline dimension



Unit: mm; Tolerances: ±0.05 mm
Reference dimension for PCB layout

RoHS Compliant

TOLERANCES ARE

MORETHANALL
PCB CONNECTORS
Cable ASSEMBLIES

DRAWING BY CY

X. ±

CHECKED BY GENIUS

.X ±

UNIT / mm

SCALE 1 : 1

.XX ±

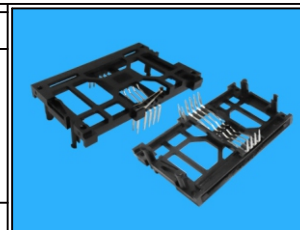
DATE

.XXX ±

ANG ±

SIZE A4

PPOJECTION



ORDER INFORMATION

SCFA-RxxBCH-08-LF

SERIES | | | | LEADFREE

DIP 90° | | | | 08 WAY

46: HIGH 4.65mm | | | | CENTER HIGH

54: HIGH 5.40mm | | | | OPEN/SWITCH

60: HIGH 6.00mm | | | |

64: HIGH 6.40mm | | | |

67: HIGH 6.75mm | | | |

88: HIGH 8.80mm | | | |

煜倫股份有限公司

www.morethanall.com

DESCRIPTION: