

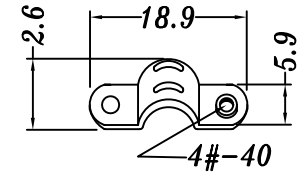
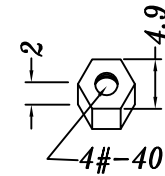
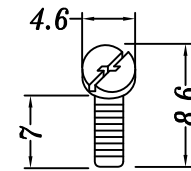
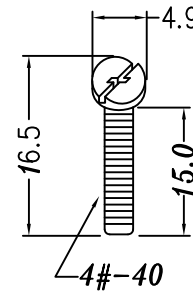
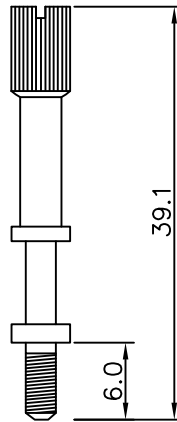
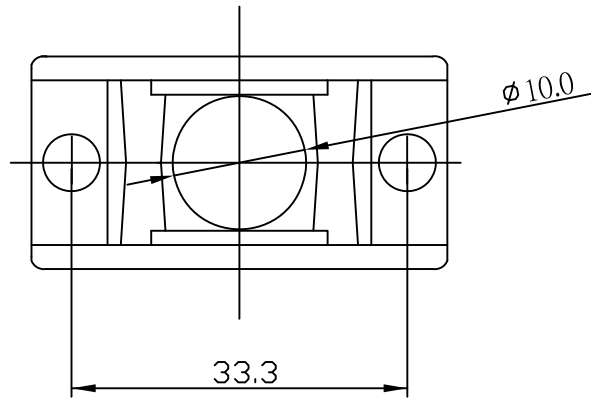
MATERIALS:

HOOD: ABS UL 94HB

COLOR BLACK OR METALIZED

SCREW: STEEL WITH NICKEL PLATED

CABIA CLIPPER: STEEL WITH NICKEL PLAED



RoHS Compliant

TOLERANCES ARE

MORETHANALL
PCB CONNECTORS
Cable ASSEMBLIES

DRAWING BY CY

CHECKED BY GENIUS

UNIT / mm

SCALE 1 : 1

DATE

SIZE A4

PPOJECTION

X. ±
.X ±
.XX ±
.XXX ±
ANG ±



ORDER INFORMATION

DKH-K1-15-LF
SERIES | LEADFREE
15 WAY
SINGLE PACKING
BLACK

煜倫股份有限公司

www.morethanall.com

DESCRIPTION: