
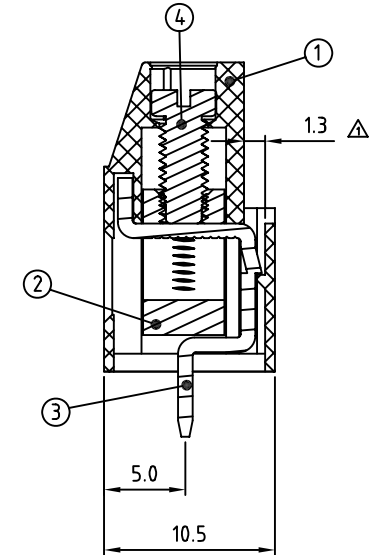
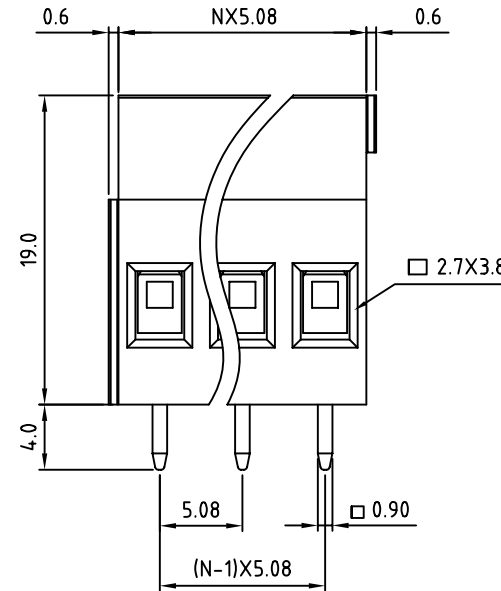
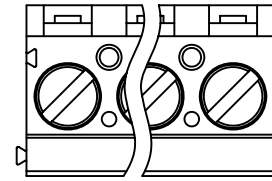


Material:

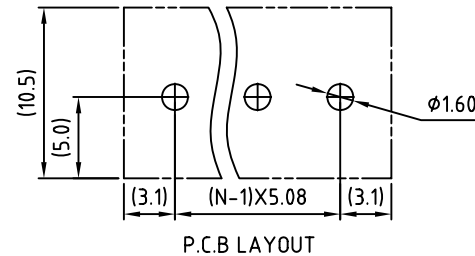
- Item 1 Insulator(housing):Thermoplastic (UL 94V-0)
- Item 2 Metal housing: Brass
- Item 3 Contacts:Brass
- Item 4 Terminal screw: Steel Zinc plating"-slot type

Electrical

- Voltage rating: 300VAC
- Current rating: 20A
- Solid wire(AWG): 12-30
- Stranded wire(AWG): 12-30
- Torque(Lb-In): 3.5
- Screw: M3
- Wire strip length: 6-7mm
- Withstanding Voltage: 1.6KV
- Operating temperature: -30°C to +105°C
- ▲ Soldering temperature: 250°C±10°C/5 Sec
- Safety Approval: 



N=Number of contacts



RoHS Compliant

TOLERANCES ARE

MORETHANALL
PCB CONNECTORS
Cable ASSEMBLIES

DRAWING BY CY

CHECKED BY GENIUS

UNIT / mm

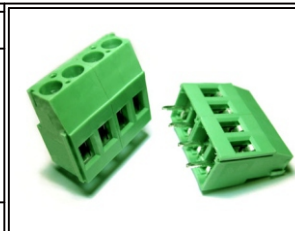
SCALE 1 : 1

DATE

SIZE A4

X, ±
.X ±
.XX ±
.XXX ±
ANG ±

P PROJECTION 



ORDER INFORMATION

TBH051-D19S-xx-LF

SERIES

LEADFREE

02-24WAY

SLIM

HIGH 19.0mm

DIP 180°

煜倫股份有限公司

www.morethanall.com

DESCRIPTION: