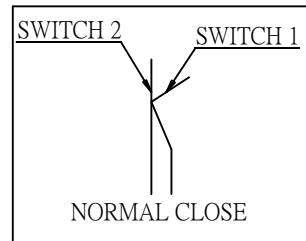
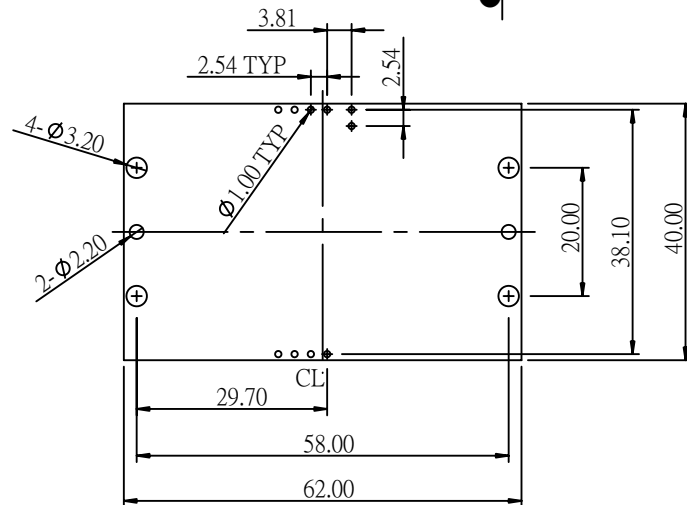
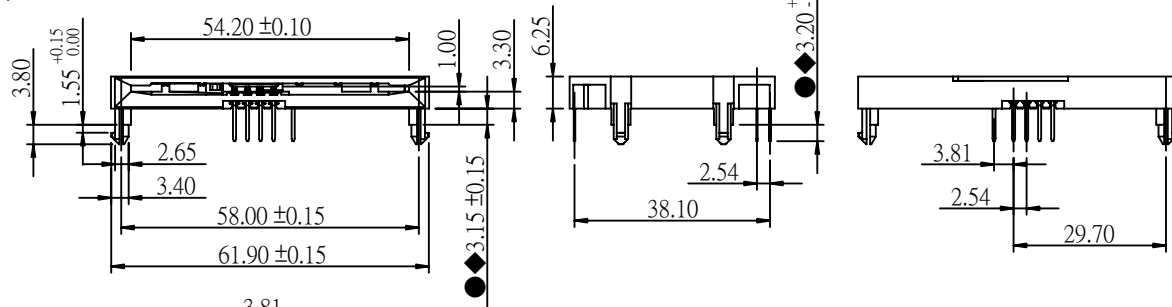


NOTE:

- 1.HOUSE MATERIAL: PBT+30%G.F 94L V-0 COLOR: BLACK.
- 2.TERMINAL MATERIAL: COPPER ALLOY, THICKNESS = 0.30 ± 0.02 .
FINISH: GOLD PLATE ON CONTACT AREA, TIN PLATE ON SOLDER TAIL, NICKEL ON ALL SURFACE
- 3.GROUND SPRING PIN: COPPER ALLOY, THICKNESS = 0.25 ± 0.02 .
FINISH: TIN OR GOLD PLATE ON ALL SURFACE, NICKEL ON ALL SURFACE.
- 4.GROUND PIN: COPPER ALLOY, THICKNESS = 0.25 ± 0.02 mm.
FINISH: TIN OR GOLD PLATE ON ALL SURFACE, NICKEL ON ALL SURFACE
- 5.OPERATING TEMPERATURE: $-40^{\circ}\text{C} \sim +80^{\circ}\text{C}$.
- 6.CURRENT RATING: 1 Amp MAX.
- 7.●: MANUFACTURER INSPECTION.
- 8.◆: Q.C INSPECTION.



RoHS Compliant

TOLERANCES ARE

MORETHANALL
PCB CONNECTORS
Cable ASSEMBLIES

DRAWING BY CY

CHECKED BY GENIUS

UNIT / mm

SCALE 1 : 1

DATE

SIZE A4

X, ±
.X ±
.XX ±
.XXX ±
ANG ±

P PROJECTION



ORDER INFORMATION

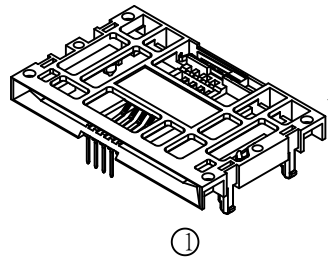
SCFA-R62A31-08-LF

SERIES | | | LEADFREE
| | | 08 WAY
| | | 3.15mm/STANDOFF
| | | CLOSED/SWITCH
| | | HIGH 6.25mm
| | | DIP 90°

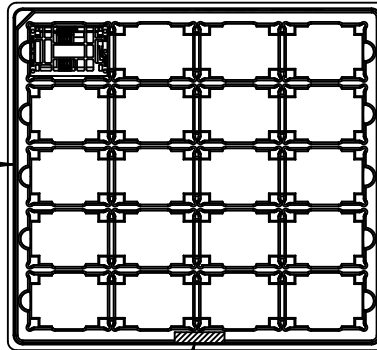
煜倫股份有限公司

www.morethanall.com

DESCRIPTION:



20PCS PRODUCTS/TRAY



② TRAY

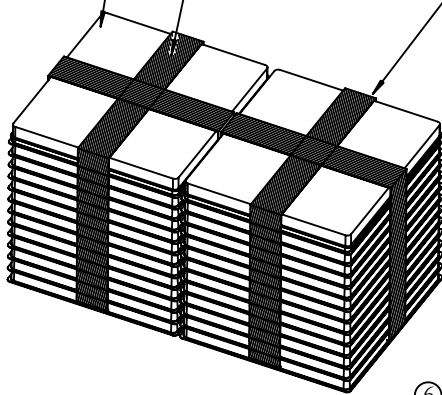
	MATERIAL	P/N	REMARKS
1	PRODUCT	SCFA-R64ACH-08	520 PCS
2	TRAY	TRAY 078-019A	26 TRAY × 20PCS
3	COVER	TRAY 007-006A	2×(1 COVER+13TRAY)
4	TAPE		
5	POLY BAG	P-0001	1 POLY BAG/CARTON
6	CARTON	CTN-C100B	CARTON/26 TRAYS/520 PCS
7	LABEL(HSF Concraft level 1)	CTB-00002	1 LABEL/TRAY
8	LABEL(HSF Concraft level 1)	CTP-00002	1 LABEL/CARTON

⑦ (4cm×1.6cm GREEN)
LABEL(1PCS/TRAY)

③ COVER

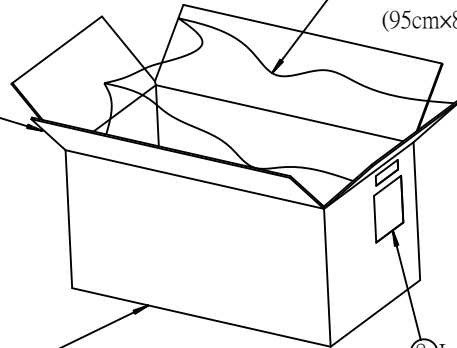
④ TAPE

⑤ POLY BAG
(95cm×85cm×0.05mm)



2X(13 TRAY+1 COVER)

⑥ CARTON
(57.5cm×32cm×30.5cm)



⑧ LABEL
(10cm×10cm GREEN)

RoHS Compliant

TOLERANCES ARE

MORETHANALL
PCB CONNECTORS
Cable ASSEMBLIES

DRAWING BY CY

CHECKED BY GENIUS

UNIT / mm SCALE 1 : 1

DATE

SIZE A4

X, ±
.X ±
.XX ±
.XXX ±
ANG ±

PPOJECTION



ORDER INFORMATION

SCFA-R62A31-08-LF

SERIES | | | | LEADFREE
| | | | 08 WAY
| | | | 3.15mm/STANDOFF
| | | | CLOSED/SWITCH
| | | | HIGH 6.25mm
| | | | DIP 90°

煜倫股份有限公司

www.morethanall.com

DESCRIPTION: