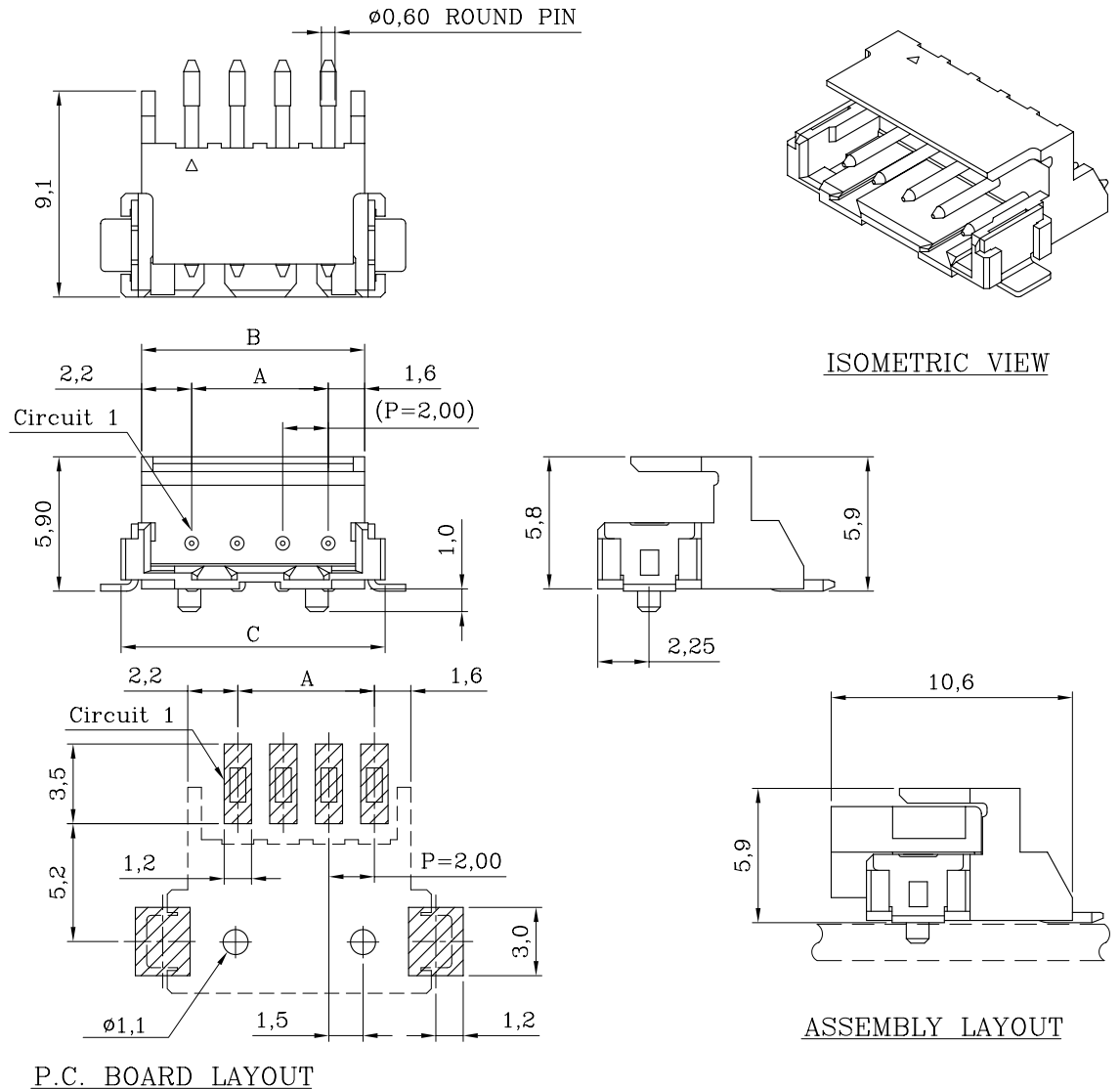


ORDER INFORMATION AND DIMENSION:

Circuits	Part No.	Dimension		
	color	A	B	C
2	CT-WPBBK-02	2.0	5.8	7.6
3	CT-WPBBK-03	4.0	7.8	9.6
4	CT-WPBBK-04	6.0	9.8	11.6
5	CT-WPBBK-05	8.0	11.8	13.6
6	CT-WPBBK-06	10.0	13.8	15.6
7	CT-WPBBK-07	12.0	15.8	17.6
8	CT-WPBBK-08	14.0	17.8	19.6
9	CT-WPBBK-09	16.0	19.8	21.6
10	CT-WPBBK-10	18.0	21.8	23.6
11	CT-WPBBK-11	20.0	23.8	25.6
12	CT-WPBBK-12	22.0	25.8	27.6
13	CT-WPBBK-13	24.0	27.8	29.6
14	CT-WPBBK-14	26.0	29.8	31.6
15	CT-WPBBK-15	28.0	31.8	33.6



NOTES:

- MATERIAL:
 BASE: HIGH HDT NYLON 94V-0
 CONTACT PIN: BRASS
- Q'ty per 330 mm Dia. Panel: 500 PCS/Embossed Tape Reel

RoHS Compliant

TOLERANCES ARE

MORETHANALL
 PCB CONNECTORS
 Cable ASSEMBLIES

DRAWING BY CY

X, ±

CHECKED BY GENIUS

.X ±

UNIT / mm

SCALE 1 : 1

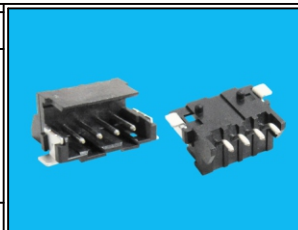
.XXX ±

DATE

ANG ±

SIZE A4

PPOJECTION



ORDER INFORMATION

CT-WPBBK-xx-LF
 SERIES | | | LEADFREE
 | | | 02~15 WAY
 | | | BK:BLACK
 | | | BOX
 | | | POST
 | | | 90°SMT

DESCRIPTION:

煜倫股份有限公司

www.morethanall.com