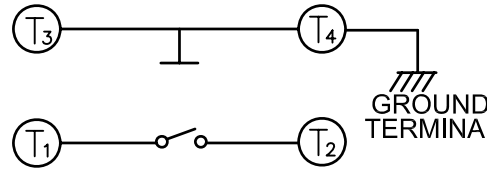
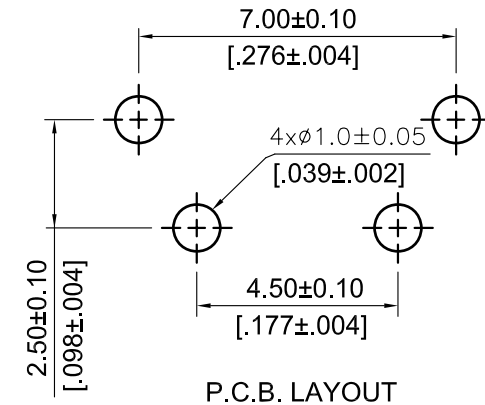


NOTE:

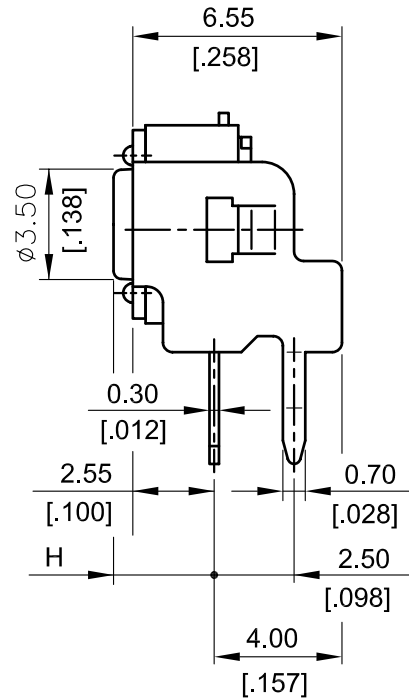
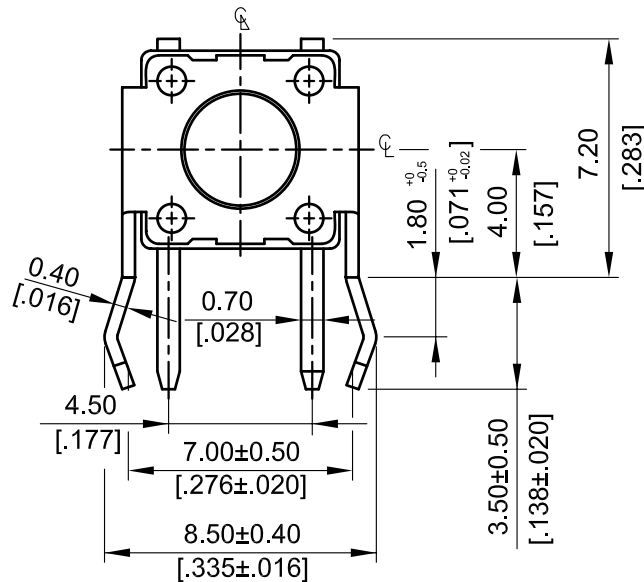
1. ALL DIMENSIONS ARE IN MILLIMETERS, BRACKETED DIMENSIONS ARE IN INCHES.
2. GENERAL TOLERANCES MAX.±0.20mm.



CIRCUIT DIAGRAM



P.C.B. LAYOUT



TSW66-R(38~118)-xxx	0.4 MAX	.016 MAX
TSW66-R31-xxx	0.3 MAX	.012 MAX
PROD.	NO.	I
		INCHES.

TSW66-R118-xxx	11.85 [0.467]
TSW66-R83-xxx	8.35 [0.329]
TSW66-R58-xxx	5.85 [0.230]
TSW66-R38-xxx	3.85 [0.152]
TSW66-R31-xxx	3.15 [0.124]
PROD.	NO.
	H

RoHS Compliant

TOLERANCES ARE

MORETHANALL
PCB CONNECTORS
Cable ASSEMBLIES

DRAWING BY CY

CHECKED BY GENIUS

UNIT / mm

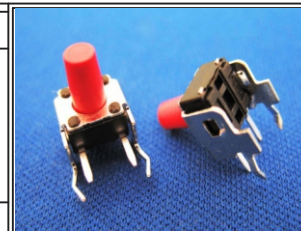
SCALE 1 : 1

DATE

SIZE A4

PPOJECTION

X, ±
.X ±
.XX ±
.XXX ±
ANG ±



ORDER INFORMATION

TSW66-Rxx-xxx-LF

SERIES	31:3.15mm	LEADFREE
	38:3.85mm	100:100g/BLACK
DIP 90°	58:5.85mm	160:160g/BROWN
	61:6.15mm	260:260g/RED
	83:8.35mm	320:320g/SALMON
	118:11.85mm	520:520g/YELLOW

煜倫股份有限公司

www.morethanall.com

DESCRIPTION: TACTILE SWITCH R/A (MECHANICAL CONTACT TYPE)