

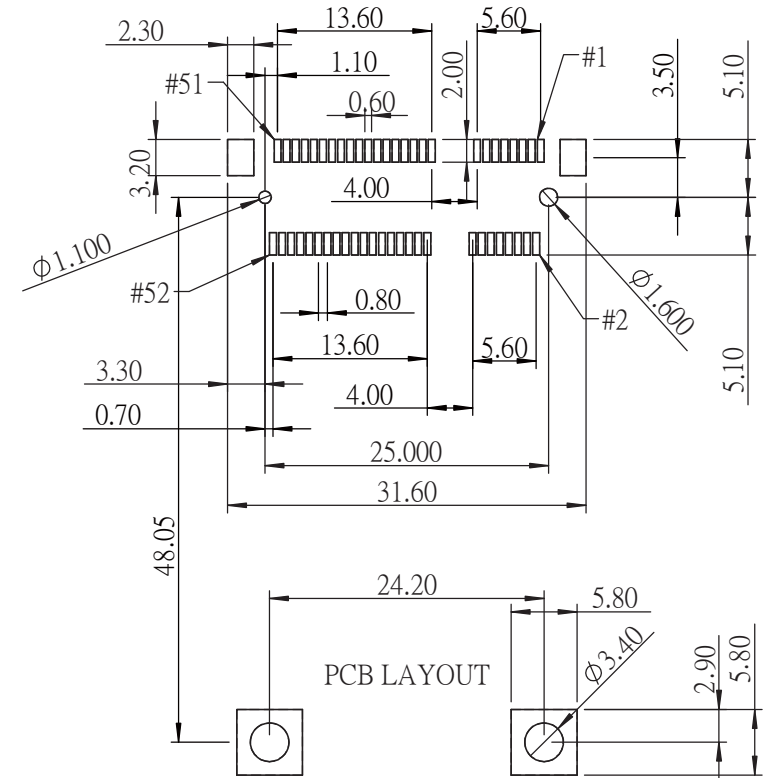
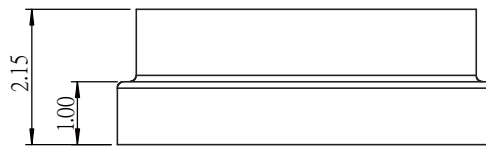
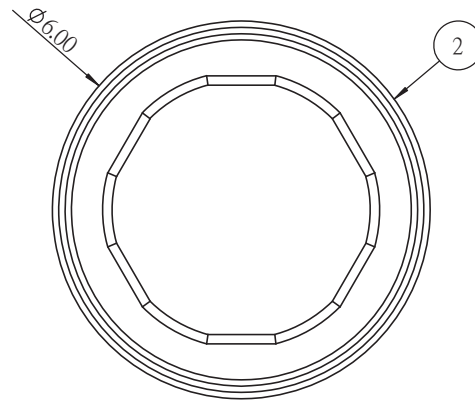
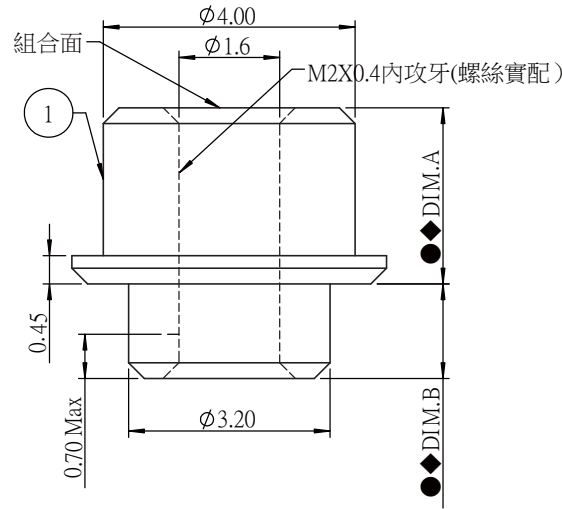
NOTE:

1. INSPECTION SYMBOL:

- :MANUFACTURER INSPECTION
- ◆:Q.C INSPECTION

2.REMARK:

- (1): HARDWARE:BRASS ;
FINISH:MATTE TIN PLATING OVER NICKEL
- (2): PLASTIC(OPTION),LCP, COLOR:BLACK(UL94V-0) .
- 3.PLEASE REFER TO TABLE 1 FOR THE LENGTH STANDARDS.
- 4. 高度3.2及以上允許無效牙0.7MAX且內徑底部不倒角，材質&電鍍需符合無有害物質



PART NO.	DIM.A±0.10	DIM.B±0.10
MPCI-LS40CR-052	1.60	1.50
MPCI-LS52CR-052	2.80	1.50
MPCI-LS56CR-052	3.20	1.50
MPCI-LS60CR-052	3.60	1.50
MPCI-LS68CR-052	4.40	1.50
MPCI-LS80CR-052	5.60	1.50
MPCI-LS90CR-052	6.60	1.50
MPCI-LS92CR-052	6.80	1.50
MPCI-LS99CR-052	7.50	1.50

RoHS Compliant

TOLERANCES ARE

MORETHANALL
PCB CONNECTORS
Cable ASSEMBLIES

煜倫股份有限公司

www.morethanall.com

DRAWING BY CY

CHECKED BY GENIUS

UNIT/mm

SCALE 1:1

DATE

SIZE A4

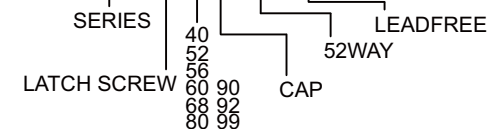
PJECTION

X. ± 0.30
X ± 0.30
.XX ± 0.10
.XXX ± 0.05
ANG ± 1°



ORDER INFORMATION

MPCI-LSxxC-052-LF



DESCRIPTION: