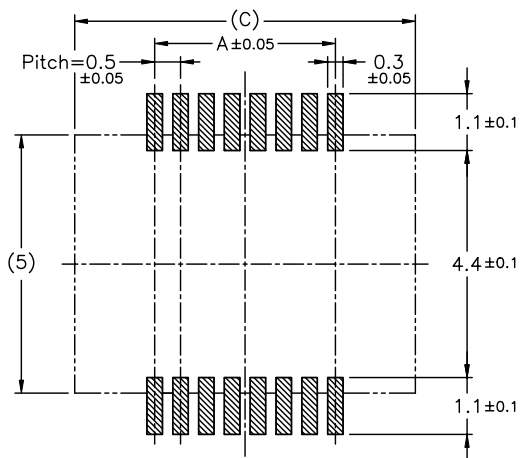
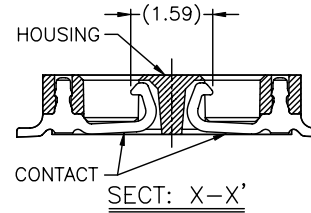
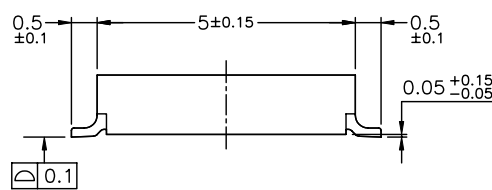


PCB Layout

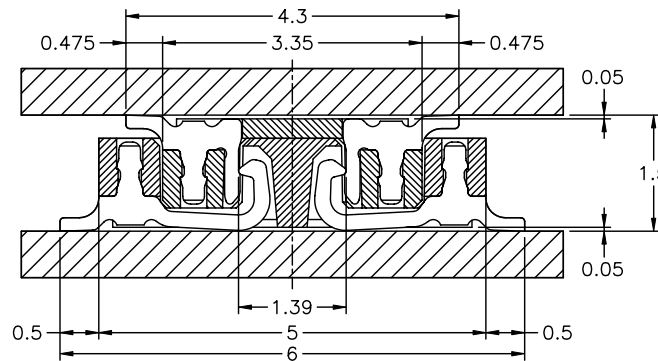


NOTE:

- 1.MATERIAL:  
HOUSING:THERMOPLASTIC  
CONTACTS:COPPER ALLOY
- 2.PLATING:SEE ORDERING INFORMATION
- 3.RATING:  
OPERATING VOLTAGE:50V  
CURRENT RATING:0.5A  
OPERATING TEMPERATURE:-25°C ~ +85°C



MATED DRAWING(REF.)



SCALE: 12/1

No.of Contacts	DIM. A	DIM. B	DIM. C
10	2	3	5.1
12	2.5	3.5	5.6
14	3	4	6.1
16	3.5	4.5	6.6
18	4	5	7.1
20	4.5	5.5	7.6
22	5	6	8.1
24	5.5	6.5	8.6
26	6	7	9.1
28	6.5	7.5	9.6
30	7	8	10.1
32	7.5	8.5	10.6
34	8	9	11.1
36	8.5	9.5	11.6
38	9	10	12.1
40	9.5	10.5	12.6
42	10	11	13.1
44	10.5	11.5	13.6
46	11	12	14.1
48	11.5	12.5	14.6
50	12	13	15.1
52	12.5	13.5	15.6
54	13	14	16.1
56	13.5	14.5	16.6
58	14	15	17.1
60	14.5	15.5	17.6
62	15	16	18.1
64	15.5	16.5	18.6
66	16	17	19.1
68	16.5	17.5	19.6
70	17	18	20.1
72	17.5	18.5	20.6
74	18	19	21.1
76	18.5	19.5	21.6
78	19	20	22.1
80	19.5	20.5	22.6
82	20	21	23.1
84	20.5	21.5	23.6
86	21	22	24.1
88	21.5	22.5	24.6
90	22	23	25.1
92	22.5	23.5	25.6
94	23	24	26.1
96	23.5	24.5	26.6
98	24	25	27.1
100	24.5	25.5	27.6

RoHS Compliant

TOLERANCES ARE

**MORETHANALL**  
PCB CONNECTORS  
Cable ASSEMBLIES

DRAWING BY CY

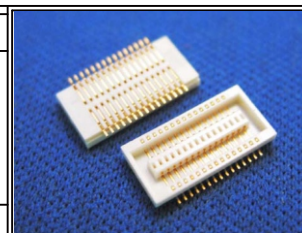
CHECKED BY GENIUS

UNIT / mm SCALE 1 : 1

DATE

SIZE A4 PPROJECTION

X, ±  
.X ±  
.XX ±  
.XXX ±  
ANG ±



ORDER INFORMATION

NP0513-S12X-xxx-LF

SERIES | LEADFREE  
010~100WAY  
NON POST  
UNMATED HIGH 1.2mm  
FEMALE

煜倫股份有限公司

www.morethanall.com

DESCRIPTION: