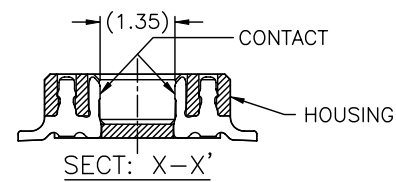
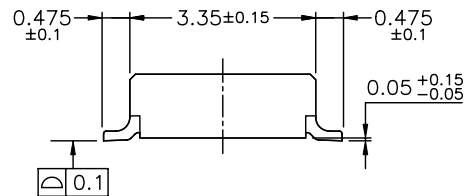
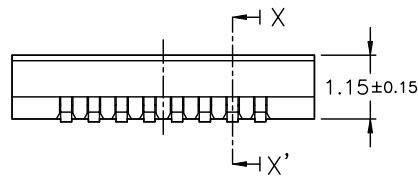
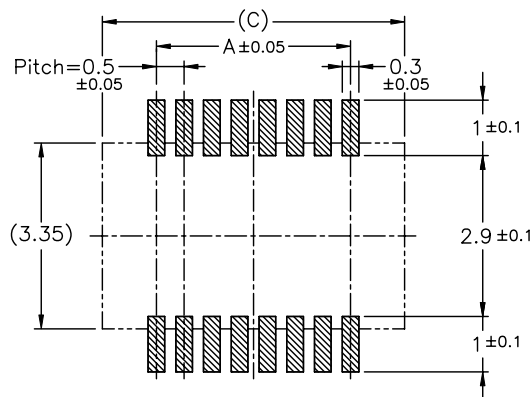


NOTE:

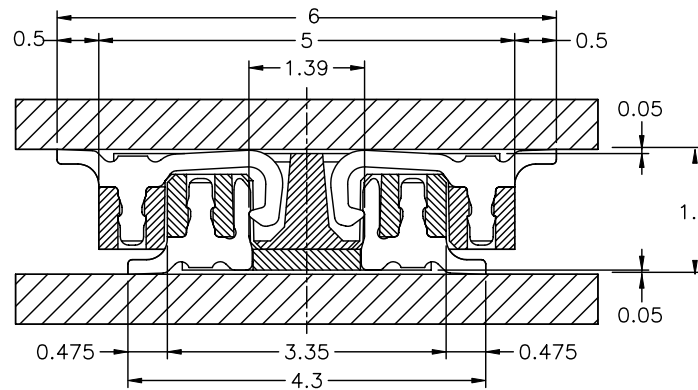
- 1.MATERIAL:
HOUSING:THERMO PLASTIC
CONTACTS:COPPER ALLOY
- 2.PLATING:SEE ORDERING INFORMATION
- 3.RATING:
OPERATING VOLTAGE:50V
CURRENT RATING:0.5A
OPERATING TEMPERATURE:-25°C ~ +85°C



PCB Layout



MATED DRAWING(REF.)



No.of Contacts	DIM. A	DIM. B	DIM. C
10	2	3.05	3.95
12	2.5	3.55	4.45
14	3	4.05	4.95
16	3.5	4.55	5.45
18	4	5.05	5.95
20	4.5	5.55	6.45
22	5	6.05	6.95
24	5.5	6.55	7.45
26	6	7.05	7.95
28	6.5	7.55	8.45
30	7	8.05	8.95
32	7.5	8.55	9.45
34	8	9.05	9.95
36	8.5	9.55	10.45
38	9	10.05	10.95
40	9.5	10.55	11.45
42	10	11.05	11.95
44	10.5	11.55	12.45
46	11	12.05	12.95
48	11.5	12.55	13.45
50	12	13.05	13.95
52	12.5	13.55	14.45
54	13	14.05	14.95
56	13.5	14.55	15.45
58	14	15.05	15.95
60	14.5	15.55	16.45
62	15	16.05	16.95
64	15.5	16.55	17.45
66	16	17.05	17.95
68	16.5	17.55	18.45
70	17	18.05	18.95
72	17.5	18.55	19.45
74	18	19.05	19.95
76	18.5	19.55	20.45
78	19	20.05	20.95
80	19.5	20.55	21.45
82	20	21.05	21.95
84	20.5	21.55	22.45
86	21	22.05	22.95
88	21.5	22.55	23.45
90	22	23.05	23.95
92	22.5	23.55	24.45
94	23	24.05	24.95
96	23.5	24.55	25.45
98	24	25.05	25.95
100	24.5	25.55	26.45

RoHS Compliant

TOLERANCES ARE

MORETHANALL
PCB CONNECTORS
Cable ASSEMBLIES

DRAWING BY CY

CHECKED BY GENIUS

UNIT / mm

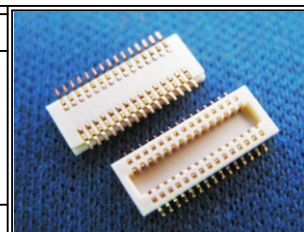
SCALE 1 : 1

DATE

SIZE A4

PJECTION

X, ±
.X ± 0.20
.XX ± 0.10
.XXX ±
ANG ±



ORDER INFORMATION

NP0513-P03X-xxx-LF

SERIES

LEADFREE
010~100WAY
NON POST
UNMATED HIGH 0.3mm
MALE

煜倫股份有限公司

www.morethanall.com

DESCRIPTION: