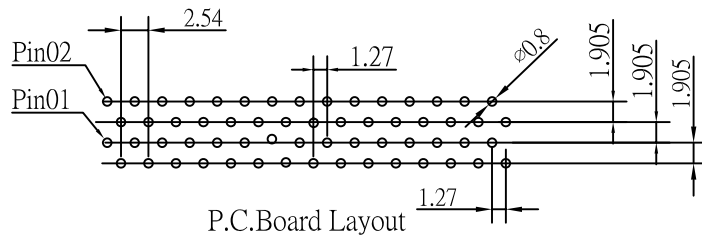


Contact:
 Contact: Brass.
 Insulator: PBT.
 Finish: Gold or Tin over Nickel Plated.



Circuits	Dimension		
	A	B	C
16	8.89	29.96	16.67
20	11.43	32.50	19.21
40	24.13	45.20	31.91
44	26.67	47.74	34.45
60	36.83	57.90	44.61
80	49.53	70.60	57.31
100	62.23	83.30	70.01

RoHS Compliant

TOLERANCES ARE

MORETHANALL
 PCB CONNECTORS
 Cable ASSEMBLIES

DRAWING BY CY

CHECKED BY GENIUS

UNIT / mm

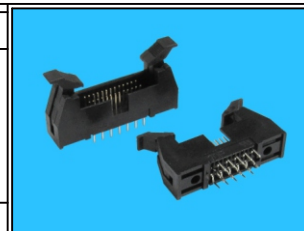
SCALE 1 : 1

DATE

SIZE A4

PJECTION

X. ±
 .X ±
 .XX ±
 .XXX ±
 ANG ±



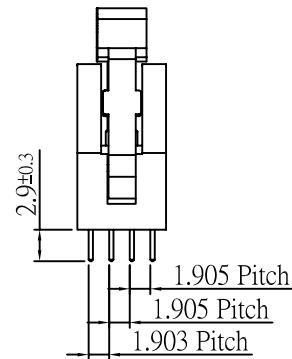
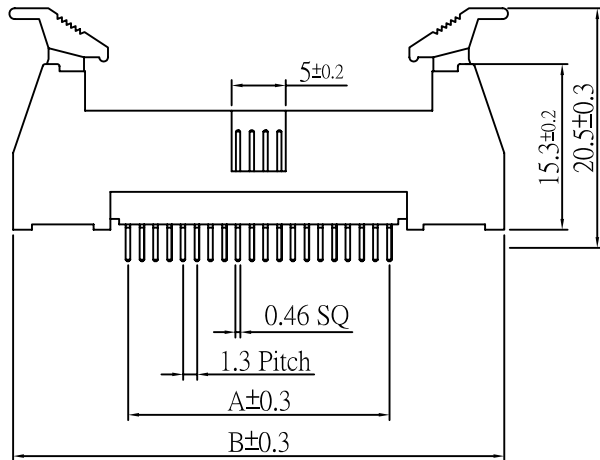
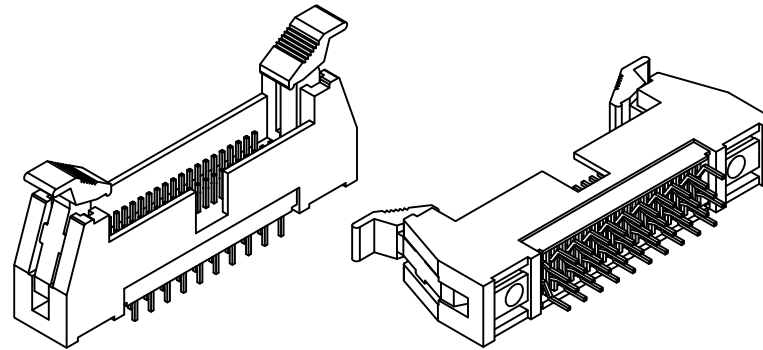
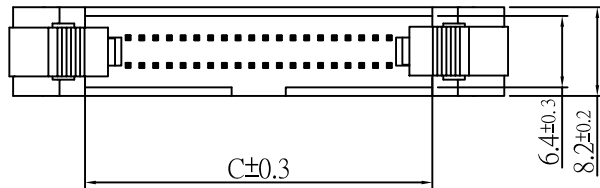
ORDER INFORMATION

HL-D4SL-xxx-LF
 SERIES | LEADFREE
 | 010~100 WAY
 | SHORT LEVER
 | 4 ROW
 | DIP 180°

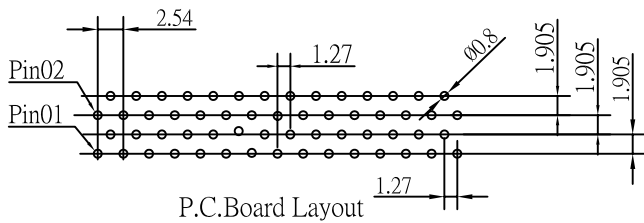
煜倫股份有限公司

www.morethanall.com

DESCRIPTION: 1.27-2.54 PITCH SHROUDED HEADER Short Lever



Contact:
 Contact: Brass.
 Insulator: PBT.
 Finish: Gold or Tin over Nickel Plated.



Circuits	Dimension		
	A	B	C
10	5.08	26.15	12.86
26	15.24	36.31	23.02
30	17.78	38.85	25.56
34	20.32	41.39	28.10
50	30.48	51.55	38.26
70	43.18	64.25	50.96

RoHS Compliant

TOLERANCES ARE

MORETHANALL
 PCB CONNECTORS
 Cable ASSEMBLIES

DRAWING BY CY

CHECKED BY GENIUS

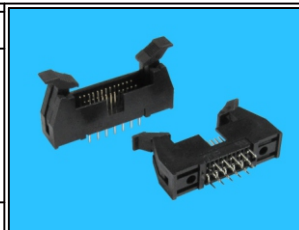
UNIT / mm SCALE 1 : 1

DATE

SIZE A4

X, ±
 X, ±
 .XX ±
 .XXX ±
 ANG ±

PPOJECTION



ORDER INFORMATION

HL-D4SL-xxx-LF
 SERIES | LEADFREE
 | 010~100 WAY
 | SHORT LEVER
 | 4 ROW
 | DIP 180°

煜倫股份有限公司

www.morethanall.com

DESCRIPTION: 1.27-2.54 PITCH SHROUDED HEADER Short Lever