

Technical Data:

Material:

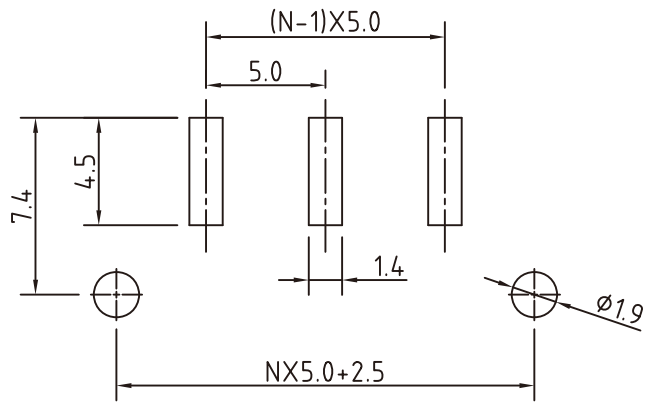
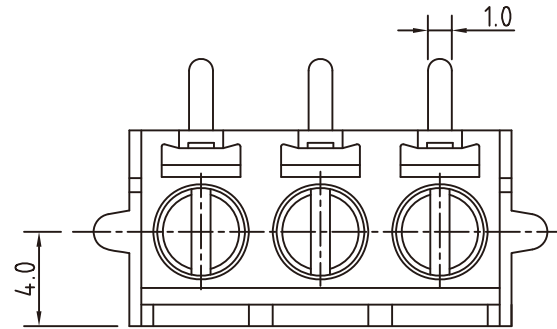
- Contact(metal housing): Brass Machined(Option)
- Terminal screw: Steel Galvanized and chromitized or Nickel plated or Tin plated(standard)(optian)
- Solder Pin: Brass with Tin plated.
- Insulator body(housing): Polyamide 46,30%GF. (UL94V-0.)

Electrical

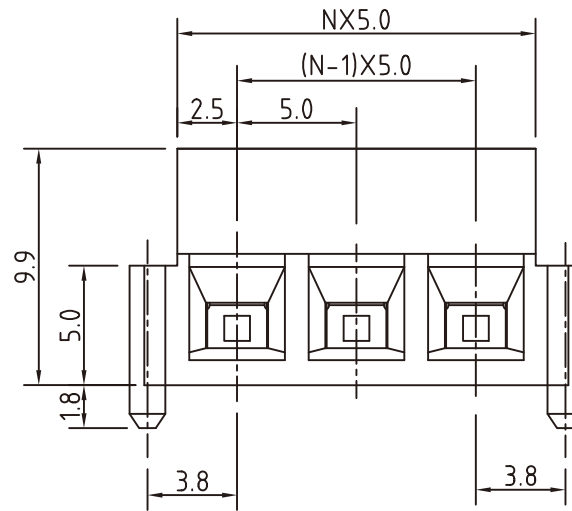
- Voltage rating: 300VAC
- Current rating: 6 Amps/way max
- Contact resistance: 20mΩ(max)
- Insulation resistance: 5000MΩ/1000V
- Withstanding Voltage: 2500VAC(1min) Test time=60sec/1pcs
- Wire range: 14-30AWG

Mechanical:

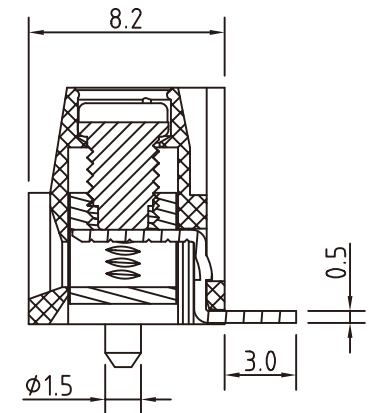
- Torque: 4kgf.cm/M3
- Operating temperature: -40° to +260°C±5°
- Soldering temperature= 250°C/5 seconds max



P.C.B LAYOUT



N=Number of contacts



RoHS Compliant

TOLERANCES ARE

MORETHANALL
PCB CONNECTORS
Cable ASSEMBLIES

DRAWING BY CY

CHECKED BY GENIUS

UNIT / mm

SCALE 1 : 1

DATE

SIZE A4

P PROJECTION

X. ±
.X ± 0.30
.XX ± 0.10
.XXX ±
ANG ±



ORDER INFORMATION

TBH050-V10P-xx-LF

SERIES | LEADFREE
02-07WAY
POST
HIGH 9.9mm
180°SMT

DESCRIPTION: 5.0mm Series(W/o cover)

煜倫股份有限公司

www.morethanall.com