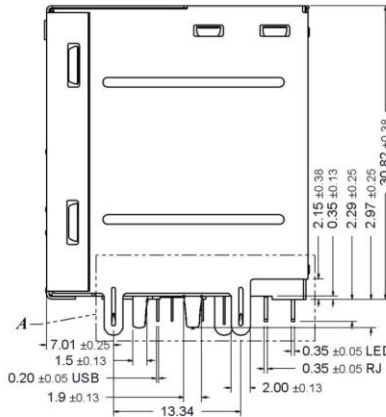
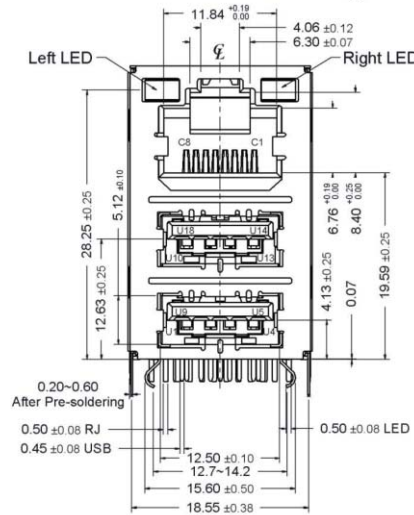
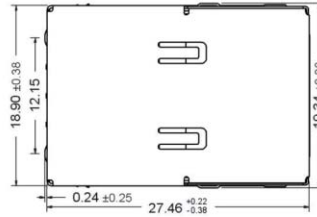
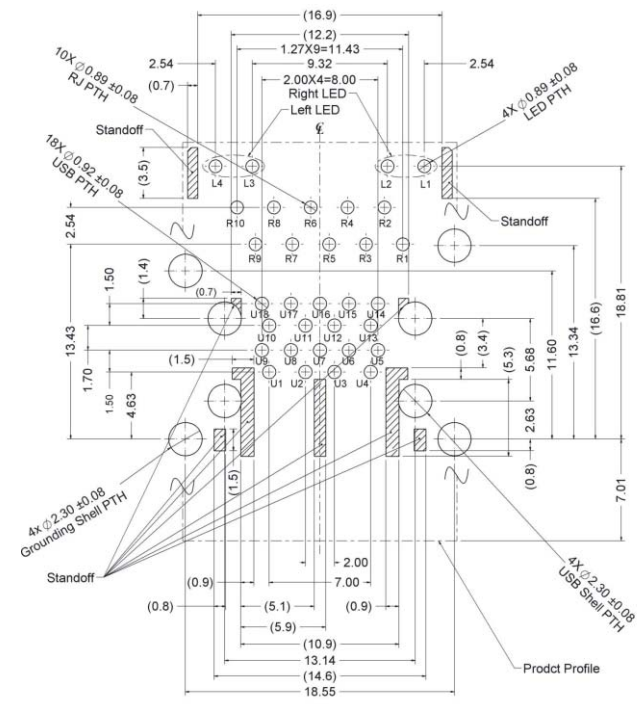
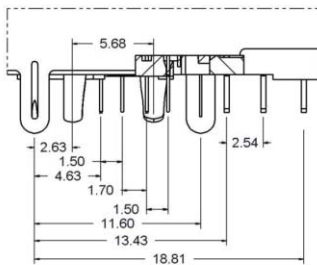
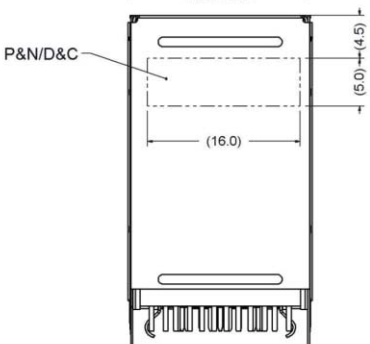


BOTTOM VIEW



DETAIL A



RoHS Compliant

TOLERANCES ARE

MORETHANALL
PCB CONNECTORS
Cable ASSEMBLIES

DRAWING BY CY

X, ±

CHECKED BY GENIUS

.X ± 0.38

UNIT / mm

SCALE 1 : 1

.XX ± 0.20

DATE

.XXX ±

ANG ±

SIZE A4

PJECTION



ORDER INFORMATION

MUJT110UL-KX30GOYX-88AA99-LF

SERIES

BLACK

30u" GOLD

NON EAR

LEADFREE

8P8C TO AA 9 PIN TYPE

LEFT / RIGHT

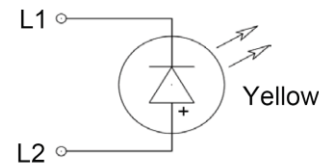
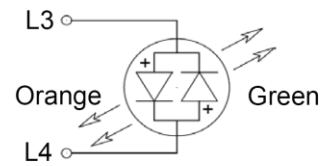
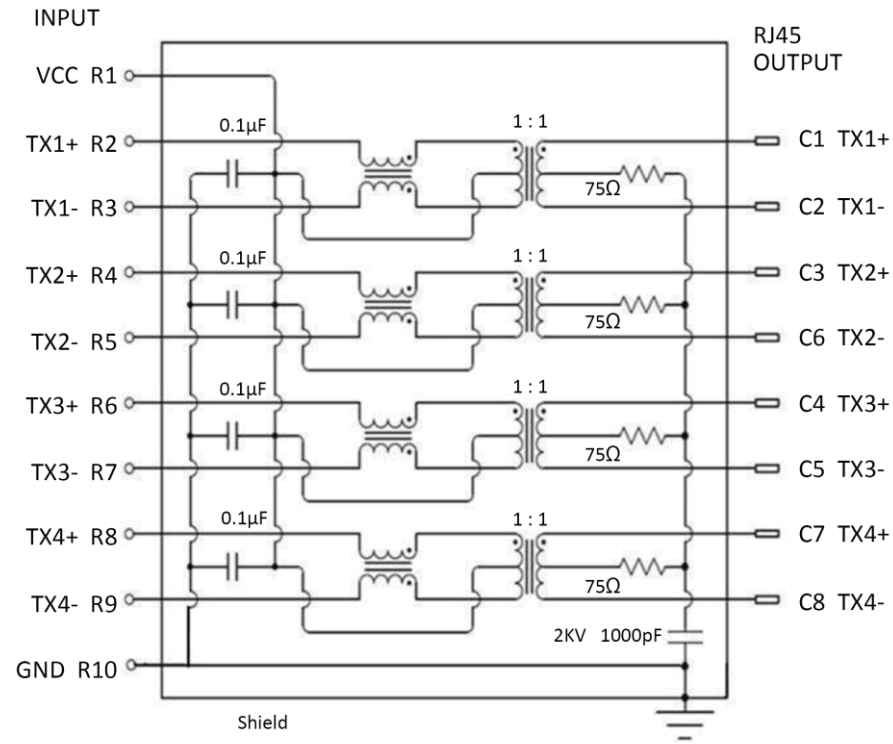
GREEN+ORANGE / YELLOW

煜倫股份有限公司

www.morethanall.com

DESCRIPTION:

1 Schematic



Emitting Color	λ_p (nm)	$V_f @ I_f=20mA$	$I_r @ V_r=5V$
Green	565	1.7 ~ 2.6 V	10µA max.
Yellow	585	1.7 ~ 2.6 V	10µA max.
Orange	610	1.7 ~ 2.6 V	10µA max.

RoHS Compliant

TOLERANCES ARE

MORETHANALL
PCB CONNECTORS
Cable ASSEMBLIES

DRAWING BY CY

CHECKED BY GENIUS

UNIT / mm

SCALE 1 : 1

DATE

SIZE A4

X, ±
X ± 0.38
.XX ± 0.20
.XXX ±
ANG ±

PPOJECTION



ORDER INFORMATION

MUJT110UL-KX30GOYX-88AA99-LF

SERIES

BLACK

30u" GOLD
NON EAR

LEFT

GREEN+ORANGE

RIGHT
YELLOW

LEADFREE

8P8C TO AA 9 PIN TYPE

煜倫股份有限公司

www.morethanall.com

DESCRIPTION:

2. Transmitter filter & Receiver filter

Type : Balance low pass 100Ω impedance

Insertion loss : 1~100 MHz -1.0dB max.

Return loss :	1~30 MHz	-18dB min.	load 100Ω
	30~60MHz	-16dB min.	load 100Ω
	60~80MHz	-12dB min.	load 100Ω
	80~100MHz	-10dB min.	load 100Ω

3. Common Mode Rejection

@ 1~100 MHz -30dB min.

4. Cross Talk

@ 1~100 MHz -30dB min.

5. Inductance @ 100KHz, 0.1V, 8mA DC BIAS

Input (R2-R3), Input(R4-R5), Input (R6-R7), Input(R8-R9)350μH min.

6. HiPot Test

Input(R2-R3) To Output(C1-C2) : 1500Vac 60s or 2250Vdc 60s

Input(R4-R5) To Output(C3-C6) : 1500Vac 60s or 2250Vdc 60s

Input(R6-R7) To Output(C4-C5) : 1500Vac 60s or 2250Vdc 60s

Input(R8-R9) To Output(C7-C8) : 1500Vac 60s or 2250Vdc 60s

RoHS Compliant

TOLERANCES ARE

MORETHANALL
PCB CONNECTORS
Cable ASSEMBLIES

DRAWING BY CY

CHECKED BY GENIUS

UNIT / mm

SCALE 1 : 1

DATE

SIZE A4

X, ±
.X ± 0.38
.XX ± 0.20
.XXX ±
ANG ±

PPOJECTION 



ORDER INFORMATION

MUJT110UL-KX30GOYX-88AA99-LF

SERIES

BLACK

30u" GOLD

NON EAR

LEFT / RIGHT

GREEN+ORANGE / YELLOW

LEADFREE
8P8C TO AA 9 PIN TYPE

煜倫股份有限公司

www.morethanall.com

DESCRIPTION: