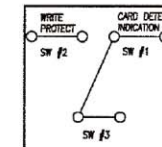
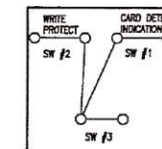


WITHOUT CARD



CARD INSERTED  
WRITE PROTECT : LOCK



CARD INSERTED  
WRITE PROTECT : UNLOCK

**MORETHANALL**  
PCB CONNECTORS  
Cable ASSEMBLIES

煜倫股份有限公司

www.morethanall.com

RoHS Compliant

DRAWING BY CY

CHECKED BY GENIUS

UNIT/ mm SCALE 1:1

DATE

SIZE A4

TOLERANCES ARE

X ±  
.X ± 0.30  
.XX ± 0.20  
.XXX ± 0.05  
ANG ±

PJECTION

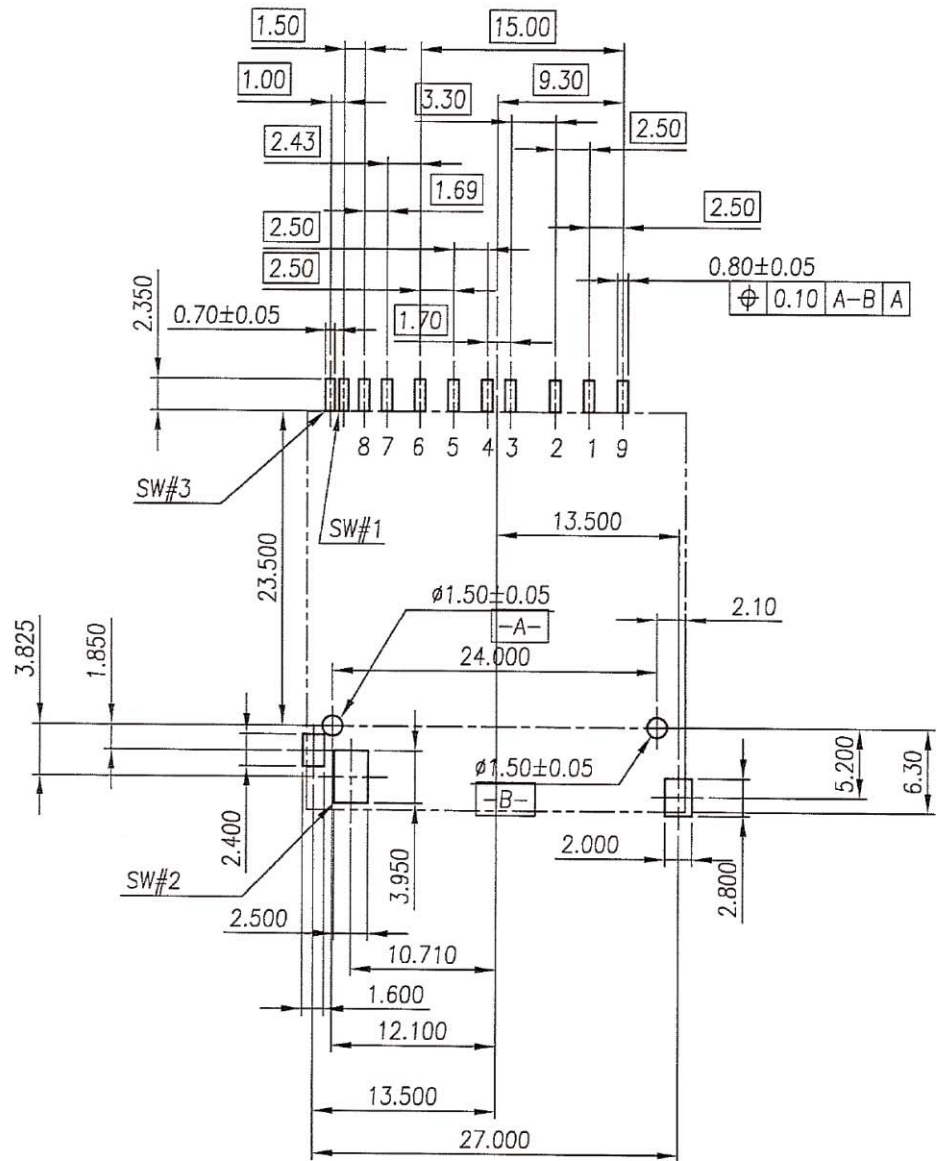


ORDER INFORMATION

SDC-W24PB10R-09-LF

SERIES | | | | | LEADFREE  
| | | | | 09WAY  
| | | | | REEL  
90°SMT | | | | | EAR/POST 1.85mm  
POST TO POST 24.0mm | | | | | B TYPE  
| | | | | PUSH PUSH

DESCRIPTION: SD MEMORY CARD PUSH-PUSH FIG SWITCH (#3) CONNECTOR TYPE D



SD CARD PIN ASIGN	
PIN	NAME
1	CD/DAT3
2	CMD/DI
3	VSS1
4	VDD
5	CLK/SCLK
6	VSS2
7	DAT0
8	DAT1
9	DAT2

RoHS Compliant

TOLERANCES ARE

**MORETHANALL**  
PCB CONNECTORS  
Cable ASSEMBLIES

DRAWING BY CY

CHECKED BY GENIUS

UNIT/mm SCALE 1:1

DATE

SIZE A4

X. ±  
.X ± 0.30  
.XX ± 0.20  
.XXX ± 0.05  
ANG ±

P PROJECTION



ORDER INFORMATION

SDC-W24PB10R-09-LF

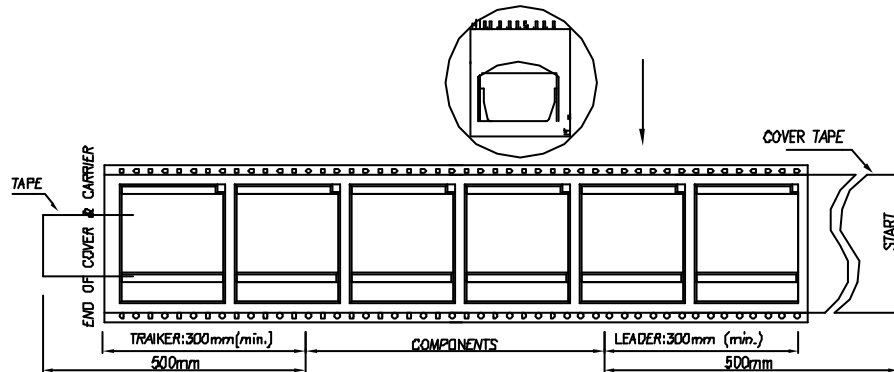
SERIES | | | | | LEADFREE  
| | | | | 09WAY  
| | | | | REEL  
90°SMT | | | | | EAR/POST 1.85mm  
POST TO POST 24.0mm | | | | | B TYPE  
| | | | | PUSH PUSH

DESCRIPTION: SD MEMORY CARD PUSH-PUSH RIG SWITCH (#3) CONNECTOR TYPE D

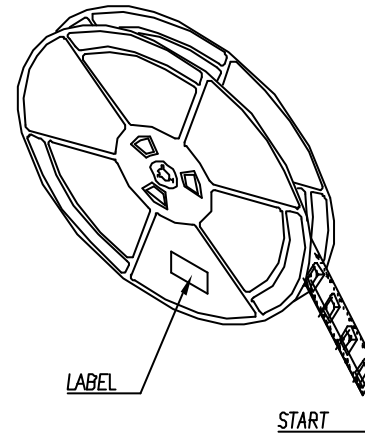
煜倫股份有限公司

www.morethanall.com

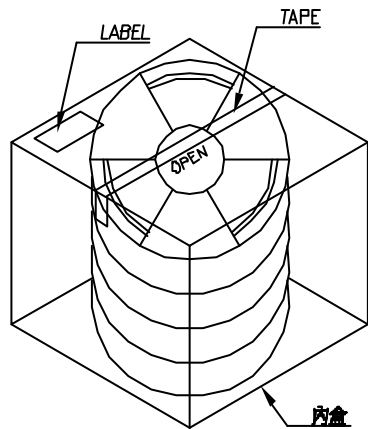
- 1-1. 成品置於COMPONENTS區, 成品需朝同一方向置放  
 1-2. 端子朝向CARRIER TAPE 底部  
 1-1. PUT SD C TYPE CONN. IN COMPONENT AREA, CHAMFER OF SD.A TYPE IS THE SAME DIRECTION TO CARRIER TAPE.  
 1-2. CONTACT ARE TOWARDS TO THE BOTTOM OF CARRIER TAPE.



- 2-1. CARRIER & COVER黏合(或熱壓合)  
 CARRIER末端(END)以膠帶固定於HUB的  
 小的那一端). COVER朝向REEL的外側  
 2-2. LABEL貼於REEL外側 (靠起點位置)  
 2-3. CARRIER不足一捲長度時(見包裝明細表)不可重  
 疊接合使用  
 2-4. COVER TAPE 不可重疊接合使用  
 2-5. 以透明膠帶將START(起始點)固定住  
 2-1. ADHERE OR HEAT COVER & CARRIER  
 TAPE PUT THE END OF CARRIER ON  
 THE "HUB'S" GATE, FIX WITH  
 TRANSPARENT TAPE.  
 2-2. STICK LABEL ON OUTSIDE OF REEL,  
 NEAR THE POSITION OF START SIDE  
 OF COVER.  
 2-3. IF THE LENGH OF CARRIER ISN'T LONG  
 ENOUGH CONNECT TO USE AS PACKING  
 LIST, COVER TAPE IS ALSO IN THE SAME  
 CONDITION.  
 2-4. FIX THE COVER TAPE OF STARD WITH  
 TRANSPARENT TAPE.

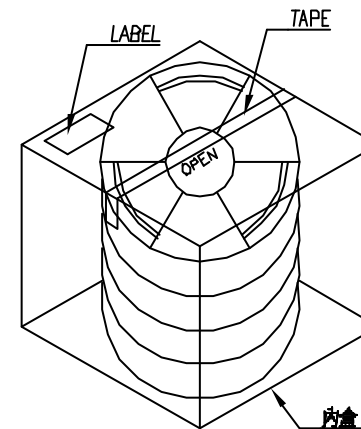


- 3-1. REEL之LABEL一致朝上.  
 3-2. 先置入一片EPE於內箱底部.  
 3-3. 將REEL平置於防水袋內, 袋內放入2包乾燥劑,  
 再置於內盒中.



- 3-4. 再置入一片EPE於REEL頂部.  
 3-5. 以TAPE封合, 並貼上成品包裝標籤  
 3-1. PUT THE LABEL OF REEL UP.  
 3-2. PUT 1 PIECE OF EPE INTO  
 BOTTOM OF BOX. THE LABEL OF REEL UP.  
 3-3. PUT 5 REELS AND 2 BAGS SILICA  
 GEL INTO PE BAG.  
 THEN PUT DOWN IN BOX, AFTER  
 PE BAG WAS CLOSED.  
 3-4. PUT 1 PIECE OF EPE ON  
 TOP OF P.E. BAG  
 3-5. CLOSE BOX AND SEAL WITH  
 TAPE, STICK THE PRODUCT LABEL ON TOP  
 SIDE OF BOX.

- 4-1. 每2個內盒置於一個外箱中.  
 4-2. 以TAPE封合, 並貼上成品包裝標籤  
 4-1. PUT INTO 2 BOXES IN ONE CARTON.  
 4-2. SEAL WITH TAPE AND STICK PRODUCT LABEL ON LEFT SIDE.



RoHS Compliant

TOLERANCES ARE

**MORETHANALL**  
 PCB CONNECTORS  
 Cable ASSEMBLIES  
**煜倫股份有限公司**

DRAWING BY CY

X, ±

CHECKED BY GENIUS

.X ±

UNIT / mm

SCALE 1 : 1

.XXX ±

DATE

ANG ±

SIZE A4

PJECTION



ORDER INFORMATION

SDC-W24PB10R-09-LF

SERIES | | | | | LEADFREE

09WAY

REEL

EAR/POST 1.85mm

B TYPE

PUSH PUSH

90°SMT

POST TO POST 24.0mm

DESCRIPTION:

www.morethanall.com