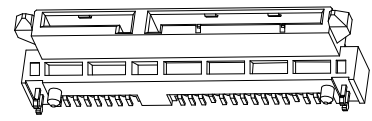
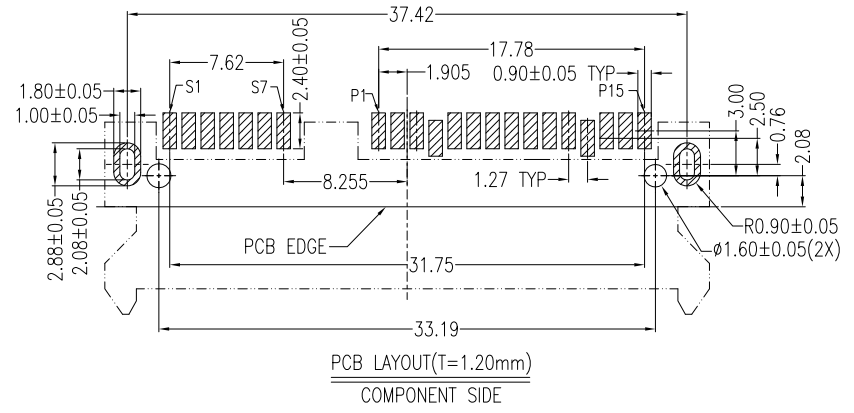
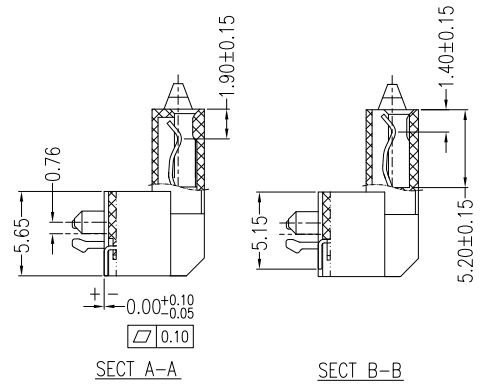
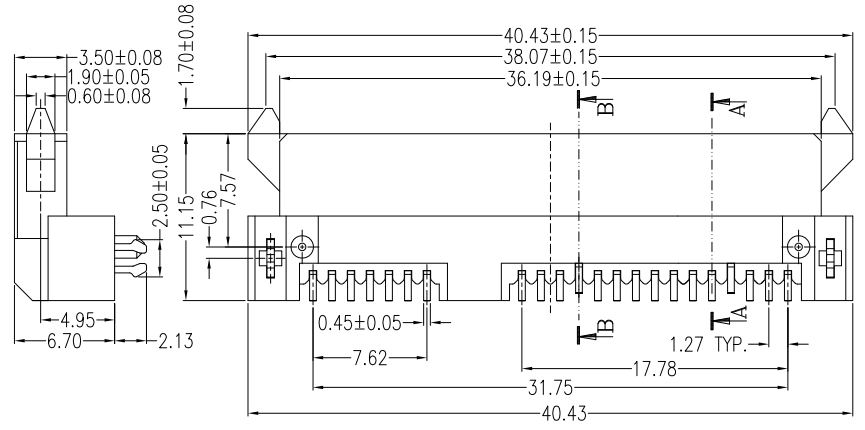


Pin NO.	Power Name	Pin NO.	Power Name
P1	V3.3	P9	V5
P2	V3.3	P10	GND
P3	V3.3	P11	DAS/DSS
P4	GND	P12	GND
P5	GND	P13	V12
P6	GND	P14	V12
P7	V5	P15	V12
P8	V5		

Pin NO.	Signal Name
S1	GND
S2	A+
S3	A-
S4	GND
S5	B-
S6	B+
S7	GND



Notes:

***Material**

Housing: LCP, UL 94V-0 rated;Color: Black.
 Contact: Phosphor Bronze
 Plating: Au Plating on contact area
 Sn(100u"Min) plating on solder Tail.
 Ni(50u"Min) contact underplating overall.
 Harpoon: Brass
 Plating: Sn(100u"Min)Plating Over Ni(50u"Min)

***Mechanical**

Insertion Force: 45N max.
 Withdrawal Force: 10N min.
 Durability: 500 cycles

***Electrical Specification**

Current Rating: 1.5 Ampere per contact
 Contact Resistance: 30mΩ Max.
 Insulation Resistance: 1000MΩ Min.
 Dielectric Withstanding Voltage: 500 V AC

***Environmental**

Operating Temperature: -55°C to +85°C

RoHS Compliant

TOLERANCES ARE



煜倫股份有限公司

www.morethanall.com

DRAWING BY CY

CHECKED BY GENIUS

UNIT/ mm

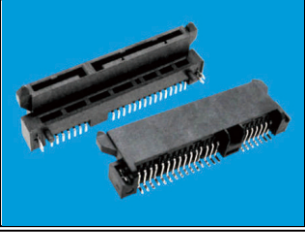
SCALE 1:1

DATE

SIZE A4

PJECTION

X. ±
 .X ± 0.35
 .XX ± 0.25
 .XXX ± 0.15
 ANG ±



ORDER INFORMATION

SATA-SWB67PZ-7+15-LF
 SERIES | | | | LEADFREE
 | | | | 7+15 PIN
 | | | | POST/CLIP
 | | | | HIGH 6.7mm
 FEMALE | | | | BOTTOM CONTACT
 | | | | 90°SMT

DESCRIPTION: SATA 7+15P Under Board SMT Type (Female)