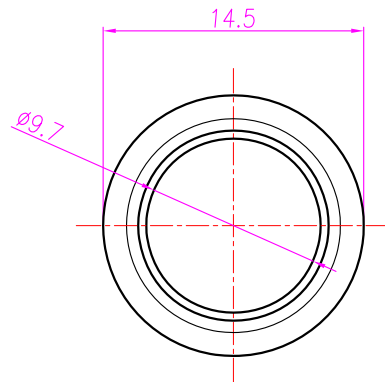
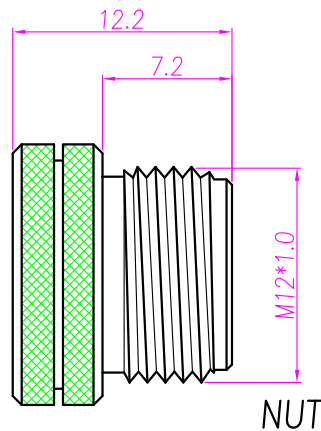


BACK SHELL



NUT

1. MATERIAL :
 - 1-1. HOUSING : PBT UL94V-0 ; COLOR : BLACK
 - 1-2. CONTACT : BRASS
 - 1-3. NUT : BRASS
 - 1-4. SHELL : Zn ALLOY
 - 1-5. BACK SHELL : BRASS.
2. FINISH :
 - 2-1. CONTACT : 10 MICRO INCHES MIN. GOLD PLATED
UNDER PLATE : NICKEL
 - 2-2. NUT : NICKEL PLATED
 - 2-3. SHELL : NICKEL PLATED
 - 2-4. BACK SHELL : NICKEL PLATED
3. ELECTRICAL SPECIFICATION :
 - 3-1. Rated current : 0.5A
 - 3-2. Rated Voltage : 48V
 - 3-3. Water proof: IPX7
4. Environmental :
 - 4-1. Operation Temperature : $-40^{\circ}\text{C}\sim 85^{\circ}\text{C}$

RoHS Compliant

TOLERANCES ARE

MORETHANALL
PCB CONNECTORS
Cable ASSEMBLIES

DRAWING BY CY

X, ±
.X ± 0.20
.XX ± 0.10
.XXX ± 0.05
ANG ± 1°

CHECKED BY GENIUS

UNIT / mm SCALE 1 : 1

DATE

SIZE A4

PPOJECTION



ORDER INFORMATION

M12-PS-08X-LF
SERIES | | LEADFREE
| | X CODE
| | 08 WAY
| | SOLDER
| | MALE

煜倫股份有限公司

www.morethanall.com

DESCRIPTION: 防水頭 M12 8PIN X-Code (M) 線端焊線式(管身加長)