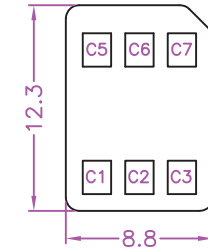


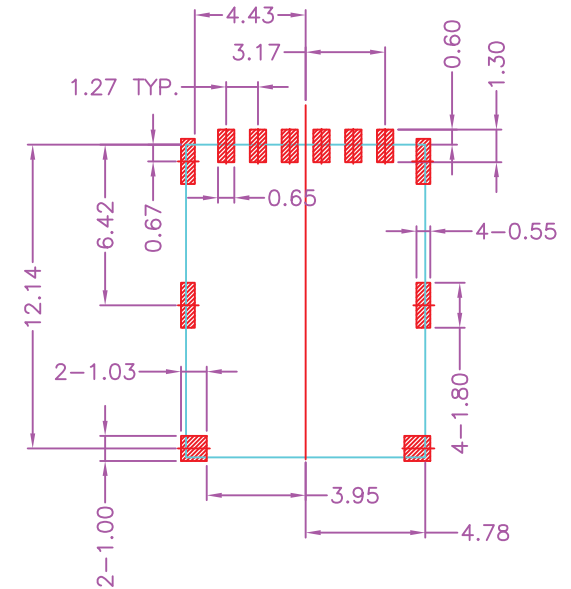
NANO SIM CARD PIN MAP

6P	DEACRIPTION
C1	VCC
C2	RST
C3	CLK
C4	Reserved
C5	GND
C6	Vpp
C7	I/O
C8	Reserved

NANO SIM CARD PAD



SCALE 1:2



P.C.B LAYOUT
TOP VIEW ±0.05

MATERIALS

HOUSING: HI-TEMP. PLASTIC (UL 94V-0)
SHELL: STAINLESS STEEL, NICKEL PLATING
SOLDER PAD: STAINLESS STEEL, GOLD FLASH
TERMINAL: COPPER ALLOY, GOLD PLATING

SPECIFICATION

CURRENT RATING: 0.5 AMP MAX
DIELECTRIC WITHSTANDING: 500V AC FOR ONE MINUTE
CONTACT RESISTANCE: 100m OHMS MAX
INSULATION RESISTANCE: 1000M OHMS MIN AT DC 500V
OPERATION TEMPERATURE: -40°C~+85°C

RoHS Compliant

TOLERANCES ARE

MORETHANALL
PCB CONNECTORS
Cable ASSEMBLIES

煜倫股份有限公司

www.morethanall.com

DRAWING BY CY

CHECKED BY GENIUS

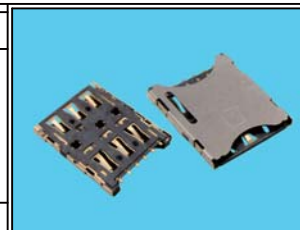
UNIT / mm SCALE 1:1

DATE

SIZE A4

X, ±
.X ± 0.30
.XX ± 0.20
.XXX ± 0.10
ANG ± 5°

PJECTION



ORDER INFORMATION

NASCT-W0012X-06-LF

SERIES | LEADFREE
06WAY
NON POST
HIGH 1.25mm
90°SMT

DESCRIPTION: MEMORY CARD SERIES
NANO SIM CARD, 6PIN, PCB MOUNT, SMT METAL SHIELD, FEMALE, H=1.25mm