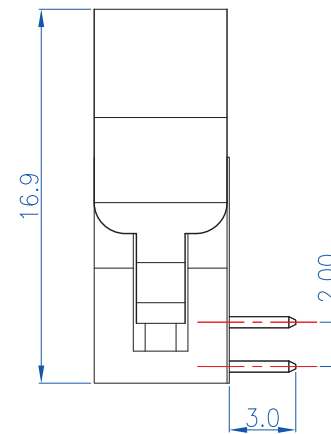
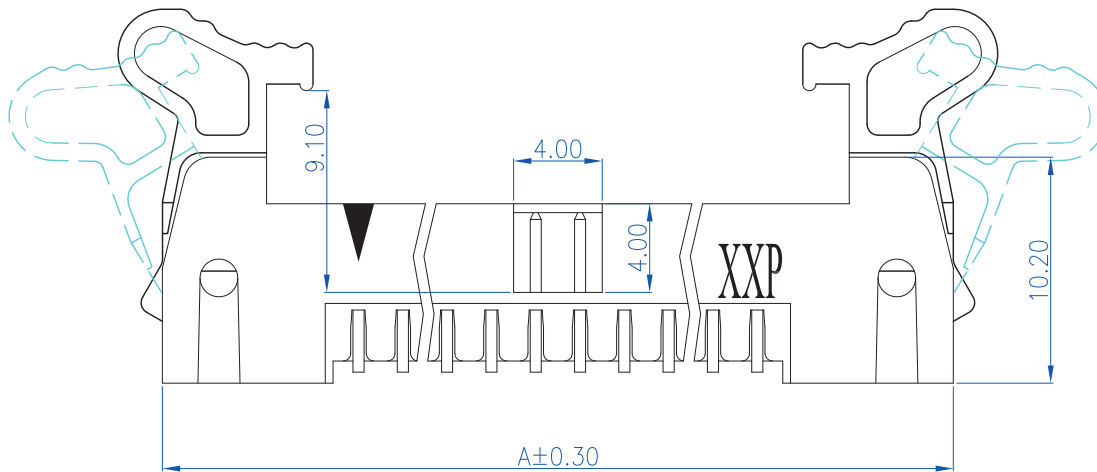


PCB Layout
(Top View)



Order Information	Dimensions		
	Pos.	A	B
ML-R-010	10	25.70	8.00
ML-R-012	12	27.70	10.00
ML-R-014	14	29.70	12.00
ML-R-016	16	31.70	14.00
ML-R-020	20	35.70	18.00
ML-R-022	22	37.70	20.00
ML-R-024	24	39.70	22.00
ML-R-026	26	41.70	24.00
ML-R-030	30	45.70	28.00
ML-R-032	32	47.70	30.00
ML-R-034	34	49.70	32.00
ML-R-040	40	55.70	38.00
ML-R-044	44	59.70	42.00
ML-R-048	48	63.70	46.00
ML-R-050	50	65.70	48.00
ML-R-060	60	75.70	58.00
ML-R-064	64	79.70	62.00
ML-R-068	68	83.70	66.00

Material and Finish

1. Housing: Nylon 6T (UL94V-0), Black.
2. Terminal: Sq 0.50mm Brass, Gold Plating.

Electrical Characteristics

1. Current Rating: 1.0 Amp. Max..
2. Dielectric Withstand Voltage: 800V AC RMS for 60Seconds.
3. Insulation Resistance: 1000M Ohms Min. at 500V DC.

Mechanical Characteristics

1. Operating Temperature: -55°C ~ +105°C

RoHS Compliant

TOLERANCES ARE

MORETHANALL
PCB CONNECTORS
Cable ASSEMBLIES

DRAWING BY CY

CHECKED BY GENIUS

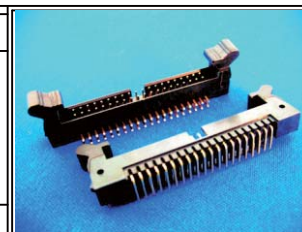
UNIT / mm SCALE 1 : 1

DATE

SIZE A4

X, ±
.X ± 0.30
.XX ± 0.20
.XXX ± 0.10
ANG ±

PPOJECTION



ORDER INFORMATION

ML-R-xxx-LF
SERIES | LEADFREE
010~068 WAY
DIP 90°

煜倫股份有限公司

www.morethanall.com

DESCRIPTION: 2.00mm Box Header Ejector Type PCB Mount Right Angle With Short Latch