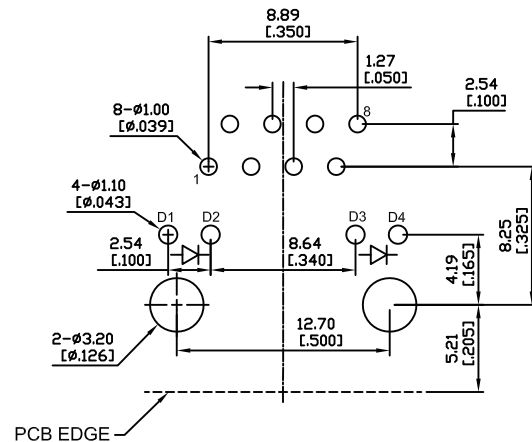
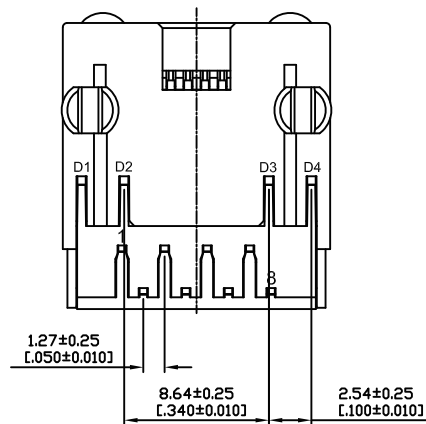


Electrical Characteristics :  
 Insulation Resistance : 500MΩ Min.  
 Contact Resistance : 50mΩ Max.  
 Withstand Voltage : 1000 VAC 1 minute.  
 Current Rating : 1.5A

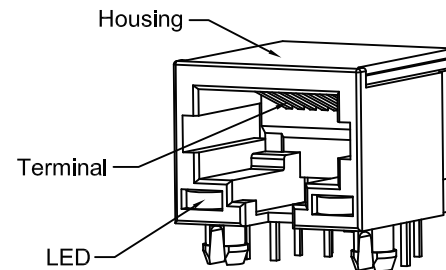
Material:  
 Housing: Thermoplastic UL94V-0  
 Contact : Selective Gold Plating  
 Terminal: 0.35mm Thickness Copper Alloy  
 Plated With Gold And Tin In Solder Area.



RECOMMENDED PCB LAYOUT  
 TOP VIEW  
 TOLERANCE:±0.05mm  
 PCB THICKNESS: 1.60±0.05mm

LED Color Options Table

LED Color Options		LED DASH OPTION
LED 2 (Left)	LED 1 (Right)	
Yellow	Green	YG
No LED	Green	XG
Yellow	No LED	YX
Green	Yellow	GY
Green	Green	GG
Yellow	Yellow	YY
Orange/Green	Orange/Green	OGOG
Yellow/Green	Yellow/Green	YGYG
Orange/Green	Yellow	OGYX



RoHS Compliant

TOLERANCES ARE

**MORETHANALL**  
 PCB CONNECTORS  
 Cable ASSEMBLIES

DRAWING BY CY

X, ±  
 .X ± 0.25  
 .XX ± 0.15  
 .XXX ± 0.075  
 ANG ±

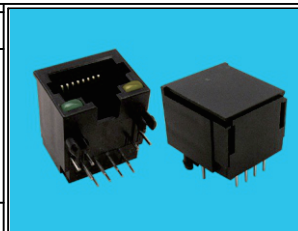
CHECKED BY GENIUS

UNIT / mm SCALE 1 : 1

DATE

SIZE A4

PJECTION



ORDER INFORMATION

MJ12SL-KX06xx-0808-LF

SERIES | | | | LEADFREE  
 | | | | 8P8C  
 BLACK | | | | LED2 / LED1  
 NON EAR | | | | GY:GREEN / YELLOW  
 06u" GOLD | | | | YG:YELLOW / GREEN

DESCRIPTION: RJ45, Unshielded, Receptacle, Horizontal, Single port, Tht, With LED

煜倫股份有限公司

www.morethanall.com