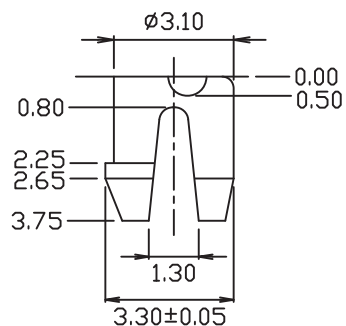
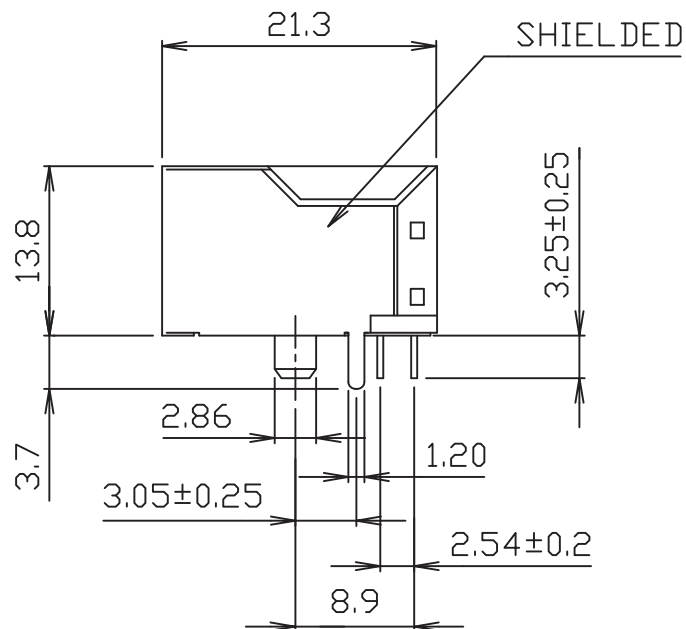
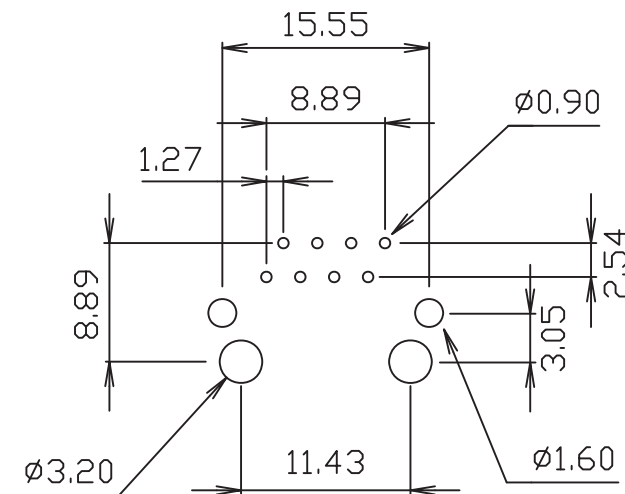


STAND OFF(H0.5mm)



**DETAIL X**

MATERIAL: • HOUSING-PBT POLYESTER UL94V-0 MIXED GLASS FIBER, STANDARD COLOR-BLACK  
 • CONTACTS-0.45mm DIA. PHOS-BRONZE PLATED WITH HARD GOLD.  
 • SHIELD-0.25mm THICK COPPER ALLOY, PLATED WITH NICKEL.  
 CAVITY CONFIRMS TO FCC RULES AND REGULATIONS PART 68,SUBPART F.



PC Board Layout

**RoHS Compliant**

TOLERANCES ARE

**MORETHANALL**  
 PCB CONNECTORS  
 Cable ASSEMBLIES

煜倫股份有限公司

www.morethanall.com

DRAWING BY CY

CHECKED BY GENIUS

UNIT/mm

SCALE 1:1

DATE

SIZE A4

P PROJECTION

X, ±  
 .X ± 0.25  
 .XX ± 0.13  
 .XXX ±  
 ANG ±



**ORDER INFORMATION**

MJF13-KX03B3-0808-LF

SERIES 8P8C LEADFREE  
 REAR TAB 3.05mm  
 GOLD 03u"  
 NON EAR  
 BLACK

DESCRIPTION: 8 POSITION SHIELDED SIDE ENTRY PCB JACK