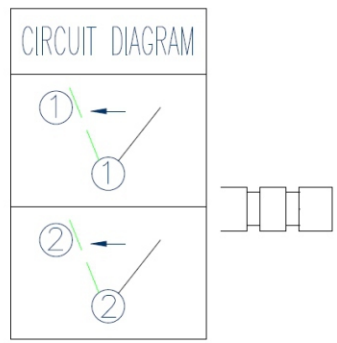
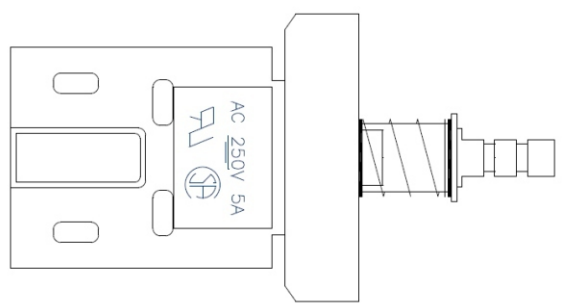


STANDARD :UL 1054/IEC 65  
 RATING :5A250V AC TV-5  
 APPROVALS :UL/CSA  
 RATING :5A/80A250V AC  
 APPROVALS :SEV/FIMKO/NEMKO/VDE/  
 DEMKO/SEMKO



**RoHS Compliant**

TOLERANCES ARE

**MORETHANALL**  
 PCB CONNECTORS  
 Cable ASSEMBLIES

DRAWING BY CY

CHECKED BY GENIUS

UNIT / mm

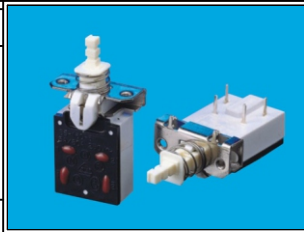
SCALE 1 : 1

DATE

SIZE A4

X. ±  
 .X ±  
 .XX ±  
 .XXX ±  
 ANG ±

P PROJECTION



**ORDER INFORMATION**

**PWSW-RPE-04-LF**

SERIES | | | LEADFREE  
 | | | 04 WAY  
 | | | PANEL EAR  
 | | | DIP 90°

**煜倫股份有限公司**

[www.morethanall.com](http://www.morethanall.com)

DESCRIPTION: