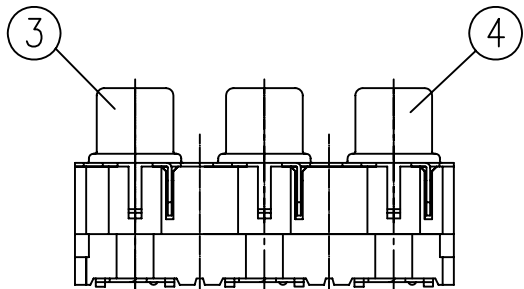
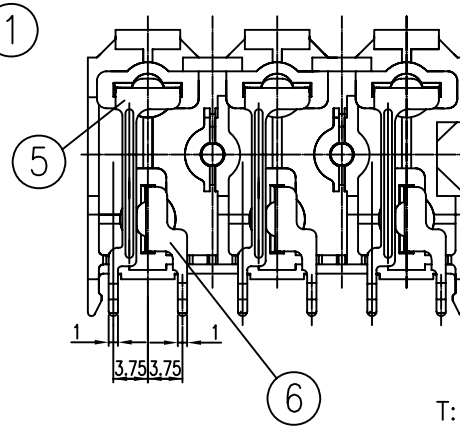
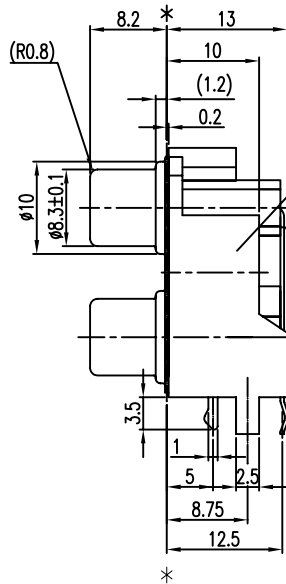
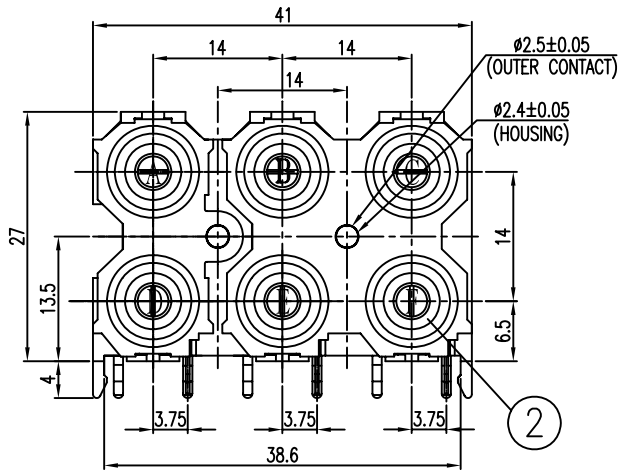


T:1.6 Dimensions of PC board holes
Tolerance : ±0.1(Printed-bottom view)



COLOR TYPE		
A	B	C
D	E	F

6	TERMINAL	3	C2680 t=0.5	MB:Cu Sn/Pb PLATED
5	TERMINAL	3	C2680 t=0.5	MB:Cu Sn/Pb PLATED
4	OUTER CONTACT	1	C2680 t=0.4	MB:Cu Ni PLATED
3	OUTER CONTACT	1	C2680 t=0.4	MB:Cu Ni PLATED
2	WASHER	3	ABS	UL-94HB
1	HOUSING	1	ABS	UL-94HB
LTR	PART NAME	QTY	MATERIAL	REMARK

UNLESS OTHERWISE SPECIFIED, TOLERANCE ON DECIMAL: ±0.3

RoHS Compliant

TOLERANCES ARE

MORETHANALL
PCB CONNECTORS
Cable ASSEMBLIES

DRAWING BY CY

X, ±

CHECKED BY GENIUS

.X ±

UNIT / mm

SCALE 1 : 1

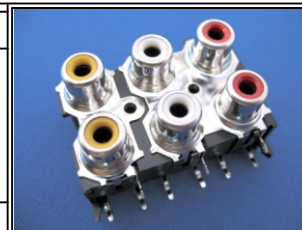
.XXX ±

DATE

ANG ±

SIZE A4

PJECTION



ORDER INFORMATION

RCAB3-JR52E2xxx14-03-LF

SERIES

LEADFREE

03 WAY

14mm

5.25mm

DIP 90°

JACK

EAR

COLOR A.B.C.D.E.F

煜倫股份有限公司

www.morethanall.com

DESCRIPTION: PIN JACK