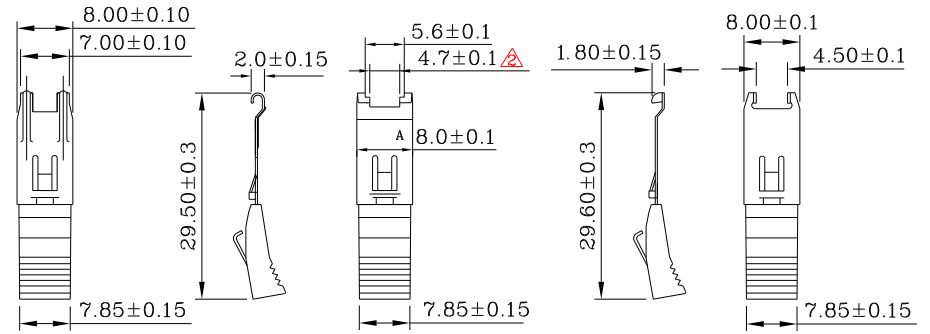
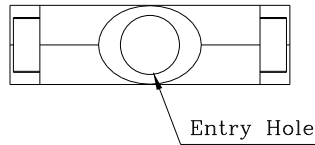


• MATERIALS:(RoHS Compliant)

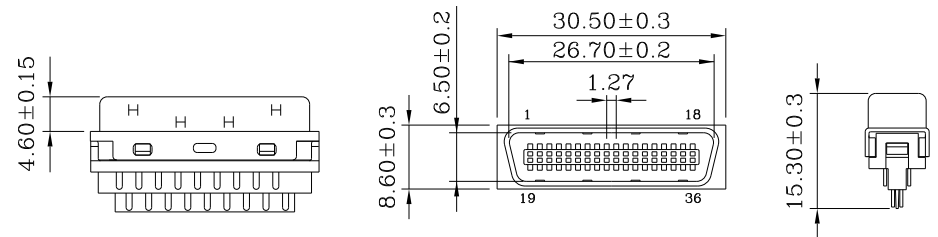
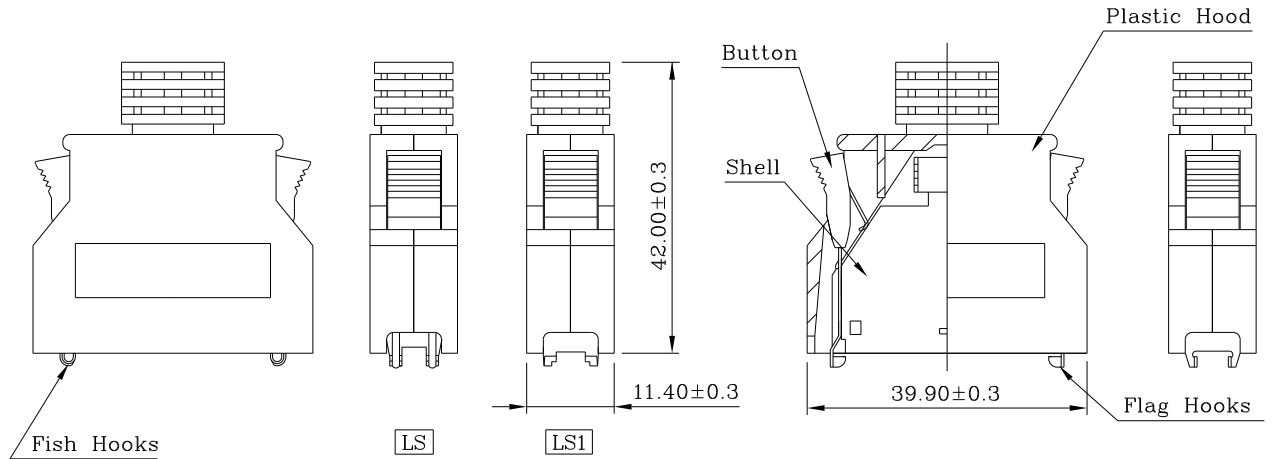
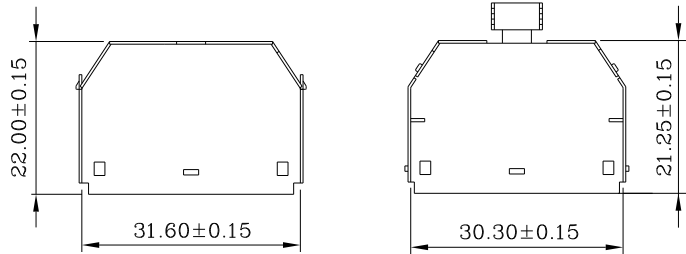
Hood: Plastic Thermoplastic ABS UL 94V-0  
 Latch Cover: Plastic Thermoplastic ABS UL 94V-0  
 Latch: Stainless Steel  
 Inner Shell: Steel Nickel Plated Over Copper



LS: Fish Hooks

LS1: Fish Hooks

SS: Flag Hooks



RoHS Compliant

TOLERANCES ARE

**MORETHANALL**  
 PCB CONNECTORS  
 Cable ASSEMBLIES

煜倫股份有限公司

www.morethanall.com

DRAWING BY CY

CHECKED BY GENIUS

UNIT / mm

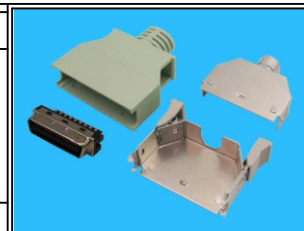
SCALE 1 : 1

DATE

SIZE A4

PPOJECTION

X, ±  
 .X ±  
 .XX ±  
 .XXX ±  
 ANG ±



ORDER INFORMATION

**HPC-PSQ-036-LF**  
 SERIES | LEADFREE  
 | 36 WAY  
 | Q TYPE COVER  
 | SOLDER  
 MALE

DESCRIPTION: 1.27mm(.050") Series 36Pos Plastic Hood With Spring Latches