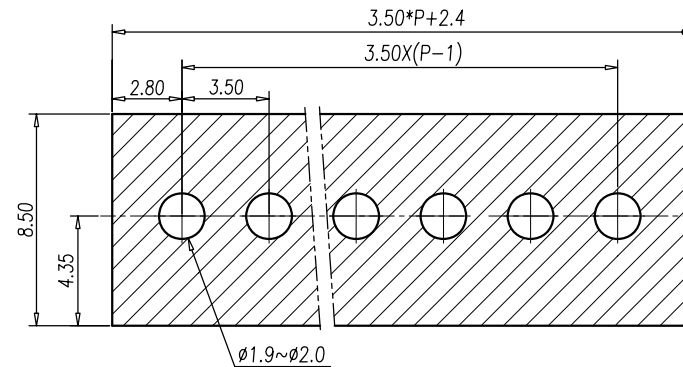
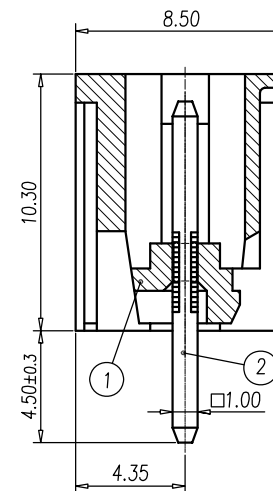


NOTES:

1. Rating: 250V 10A
PITCH: 3.50mm
2. Insulation Withstands Voltage:
AC 1500V at 1 minute
3. Insulation Resistance:
500MΩ or more at DC500V
4. Using Temperature Range:
-40°C~+105°C



P.C.B. LAYOUT



SECTION: A-A

ITEM	NAME OF PART	MATERIAL	NOTES
2	SOLDER PIN	COPPER-ALLOY	Tin Plated
1	HOUSING	PA66	UL94-V0 GREY

5. Undimensioned Tolerances:

Normal Geometric Tolerancing				
—	//	≡	⊥	
0 to 100	0.2	0.3	0 to 10	0.2
over 100 to 150	0.3		over 10	0.3
over 150	0.5			
Total Pitch Tolerances		Normal dimension Tolerances		
0<U≤30	±0.20	0~30	±0.25	
30<U≤53	±0.25	over 30~53	±0.30	
53<U≤70	±0.30	over 53~70	±0.35	
70<U≤90	±0.35	over 70~90	±0.44	
90<U≤115	±0.44	over 90~115	±0.55	
115<U≤150	±0.55	over 115~150	±0.70	
150<U≤200	±0.70	over 150~200	±0.85	

6. MARK标准: B-1

7. RoHS Compliance.

RoHS Compliant

TOLERANCES ARE

MORETHANALL
PCB CONNECTORS
Cable ASSEMBLIES

DRAWING BY CY

X, ±

CHECKED BY GENIUS

.X, ±

UNIT / mm

SCALE 1 : 1

.XXX, ±

DATE

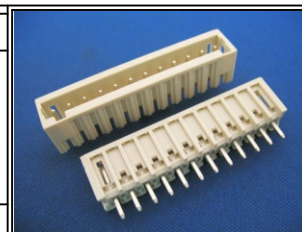
ANG, ±

煜倫股份有限公司

www.morethanall.com

SIZE A4

PJECTION



ORDER INFORMATION

TBY035-PDB-xx-LF

SERIES LEADFREE
BOX
DIP 180°
MALE

DESCRIPTION: