

Technical Data:

Material:

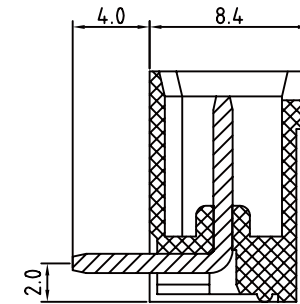
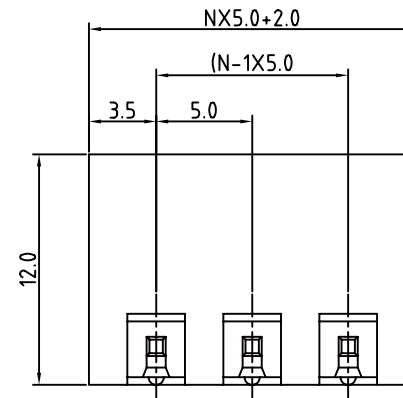
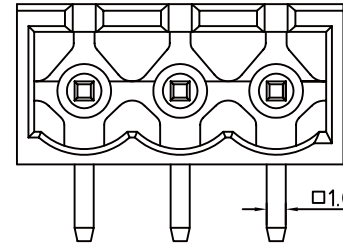
- Solder Pin: Brass with Tin plated
- Insulator body(housing): Polyamide(Glass filled)(UL94V-0)

Electrical

- Voltage rating: 300VAC
- Current rating: 10A
- Insulation resistance: 500M Ω at DC 500V
- Withstanding Voltage: AC 1500V(1min)

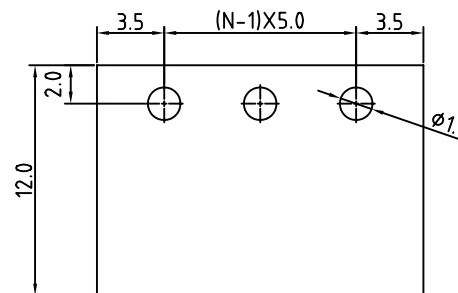
Mechanical:

- Using temperature Range: -40°C to +105°C
- Soldering temperature:+250°,5seconds Max.



N=Number of contacts

PCB. LAYOUT



RoHS Compliant

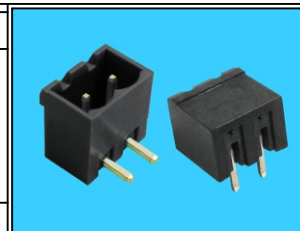
TOLERANCES ARE



煜倫股份有限公司

www.morethanall.com

DRAWING BY CY		X. ± .X ± .XX ± .XXX ± ANG ±
CHECKED BY GENIUS		
UNIT / mm	SCALE 1 : 1	
DATE		
SIZE A4	PPOJECTION	



ORDER INFORMATION

TBH050-PRBBK-xx-LF

SERIES	LEADFREE
	02-24WAY
	BLACK
	BOX
	DIP 90°
	MALE

DESCRIPTION: 0.5mm 90° / CLOSE SERIES