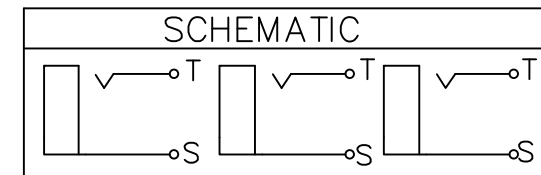
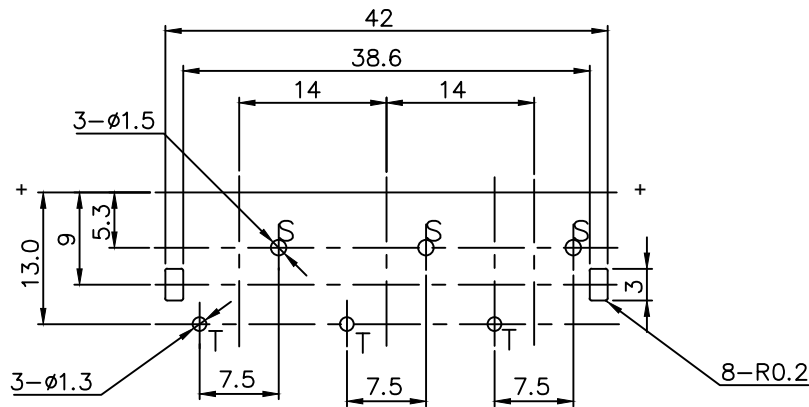


| | | | |
|---------------------|----------|----------|----------|
| RCAA3-JR53E22RWY-02 | B | C | D |
| WASHER COLOR | RED | WHITE | YELLOW |



| | | | | |
|-----|---------------|-----|-------------|----------------|
| 5 | TERMINAL | 3 | C2680 t=0.3 | Cu/Sn PLATED |
| 4 | OUTER CONTACT | 3 | C2680 t=0.3 | Cu/Sn PLATED |
| 3 | WASHER | 3 | PBT 4815 | UL-94V0 |
| 2 | COVER | 1 | ABS | UL-94HB(BLACK) |
| 1 | HOUSING | 1 | PBT 4815 | UL-94V0(BLACK) |
| LTR | PART NAME | QTY | MATERIAL | REMARK |

T:1.6 Dimensions of PC board holes
Tolerance : ±0.05(Printed-bottom view)

UNLESS OTHERWISE SPECIFIED, TOLERANCE ON DECIMAL: ±0.3

RoHS Compliant

TOLERANCES ARE

MORETHANALL
PCB CONNECTORS
Cable ASSEMBLIES

DRAWING BY CY

X.±

CHECKED BY GENIUS

.X±

UNIT / mm

SCALE 1 : 1

.XXX±

DATE

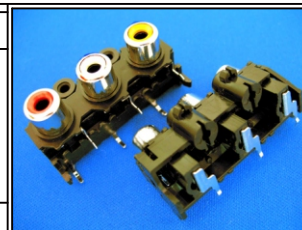
ANG±

煜倫股份有限公司

www.morethanall.com

SIZE A4

PJECTION



ORDER INFORMATION

RCAA3-JR53E22RWY-02-LF

SERIES

JACK

5.3mm

DIP 90°

EARx2

LEADFREE

02 WAY

RED/WHITE/YELLOW

DESCRIPTION: PIN JACK