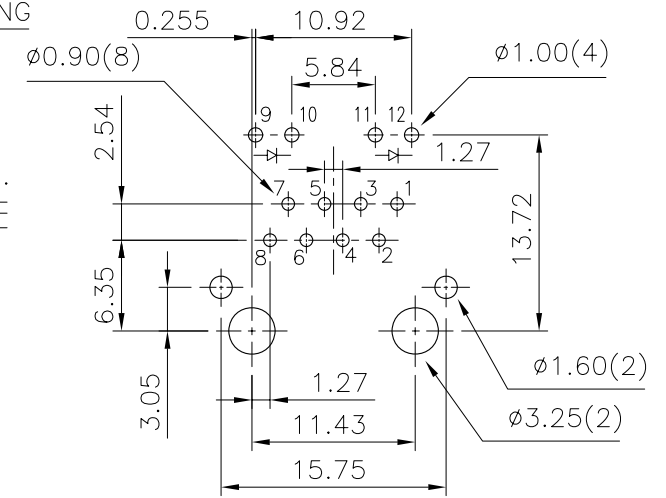
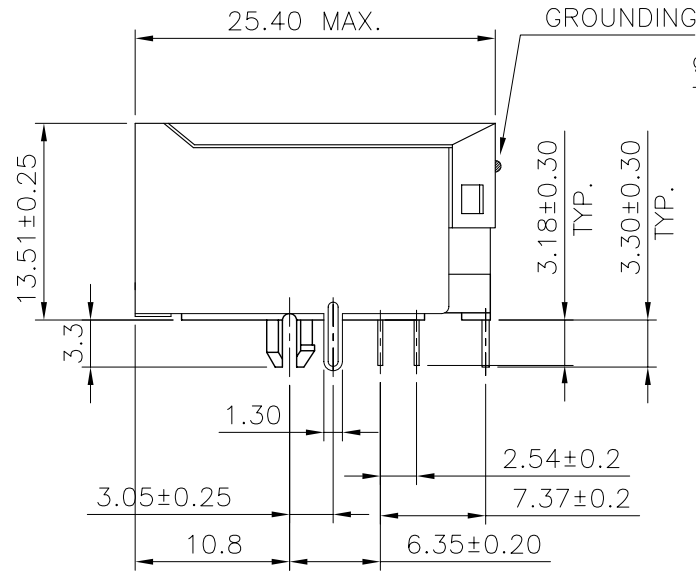
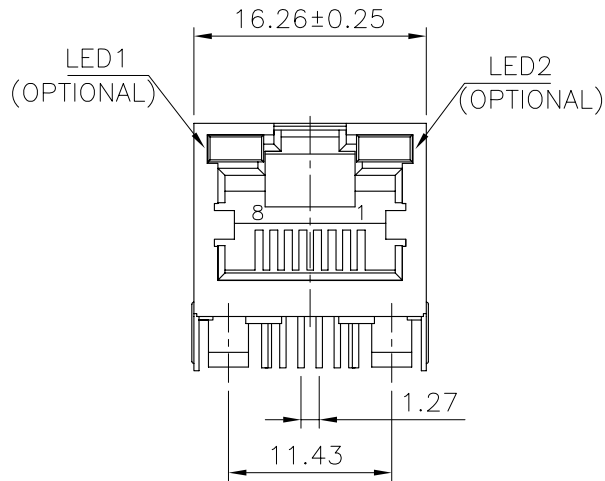
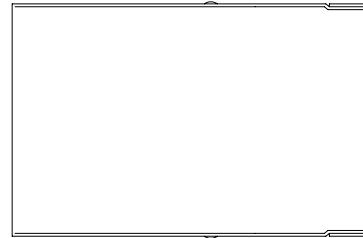


MATERIAL:

- HOUSING—PBT POLYESTER UL94V-0 MIXED GLASS FIBER. STANDARD COLOR—BLACK.
- CONTACTS—0.35mm THICK PHOS—BRONZE PLATED WITH HARD GOLD AND GOLD FLASH IN SOLDER AREA.
- SHIELD—0.20mm THICK COPPER ALLOY, PLATED WITH NICKEL.

CAVITY CONFIRMS TO FCC RULES AND REGULATIONS PART 68,SUBPART F.



PCB LAYOUT  
Ref.

RoHS Compliant

TOLERANCES ARE

**MORETHANALL**  
PCB CONNECTORS  
Cable ASSEMBLIES

DRAWING BY CY

X.±

CHECKED BY GENIUS

.X±

UNIT / mm

SCALE 1 : 1

.XX±

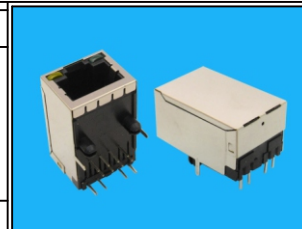
DATE

.XXX±

ANG±

SIZE A4

PJECTION



ORDER INFORMATION

MJF13T25UL-KX06B3YG-0808

SERIES

8P8C

LED1:YELLOWG

LED2:GREEN

REAR TAB 3.05mm

BLACK

06u" GOLD

NON EAR

DESCRIPTION: SINGLE PORT, RJ45, WITH LED DIP TYPE, SIDE ENTRY.

煜倫股份有限公司

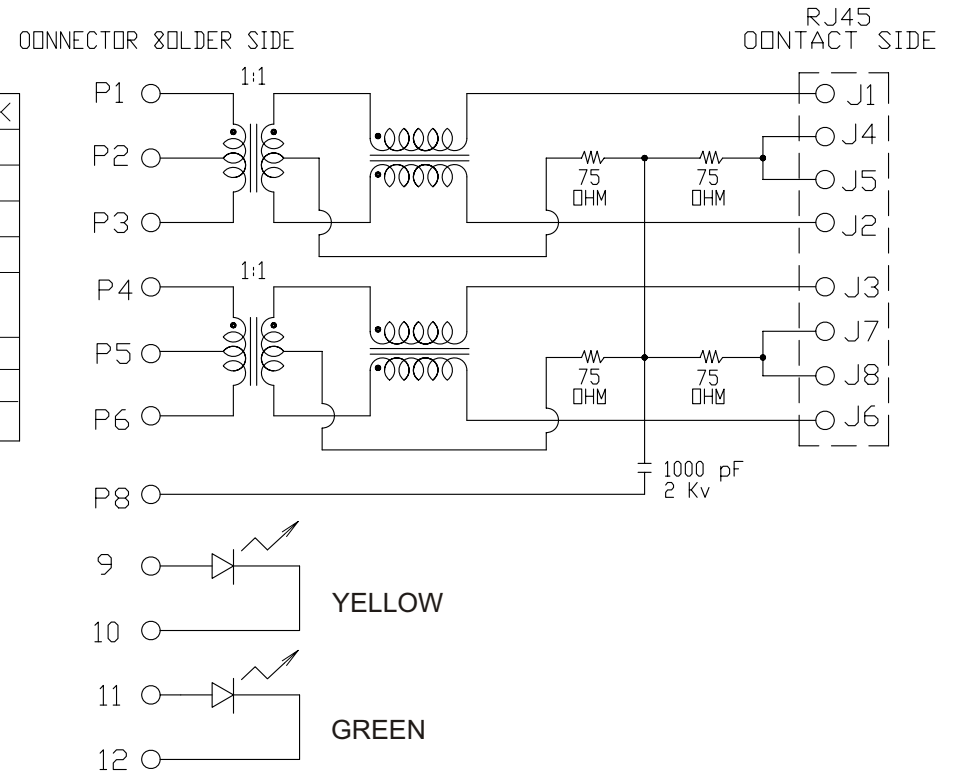
www.morethanall.com

# TRANSFORMER TYPE 1

Specification :

Item	Parameter	Condition	Min.	Typ.	Max.	Unit	REMARK
1	Insertion loss	1-100 MHz			-1	dB	
2	Return loss	1-30 MHz	-20			dB	
		30-60 MHz	-15			dB	
		60-80 MHz	-12			dB	
3	Primary Inductance @100KHz, 0.1Vrms, 8mA DC BIAS	(J1-J2), (J3-J6)	350			μH	
4	Crosstalk	1-100 MHz	-35			dB	
5	Hipot	Vrms	1.5			kV	
6	COMMON MODE REJECTION	1-100 MHz	-35			dB	

\* OPERATING TEMPERATURE RANGE: 0°C TO +70°C.



**RoHS Compliant**

TOLERANCES ARE

**MORETHANALL**  
PCB CONNECTORS  
Cable ASSEMBLIES

煜倫股份有限公司

www.morethanall.com

DRAWING BY CY

CHECKED BY GENIUS

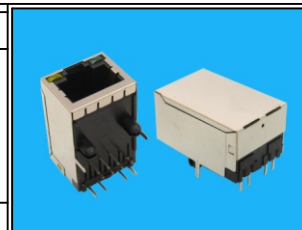
UNIT/mm SCALE 1:1

DATE

SIZE A4

X.±  
.X±  
.XX±  
.XXX±  
ANG±

PJECTION



**ORDER INFORMATION**

**MJF13T25UL-KX06B3YG-0808**

SERIES

8P8C  
LED1:YELLOW  
LED2:GREEN  
REAR TAB 3.05mm  
06u" GOLD  
NON EAR

DESCRIPTION: TRANSFORMER TYPE 1 SPECIFICATION