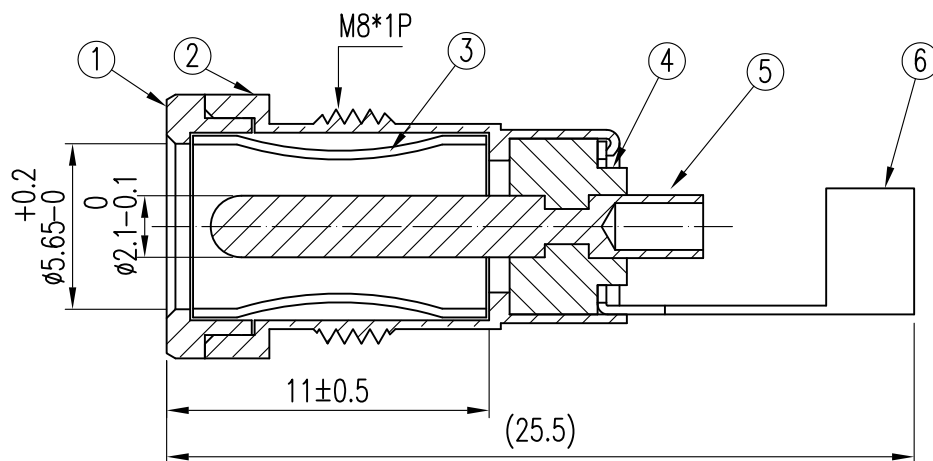
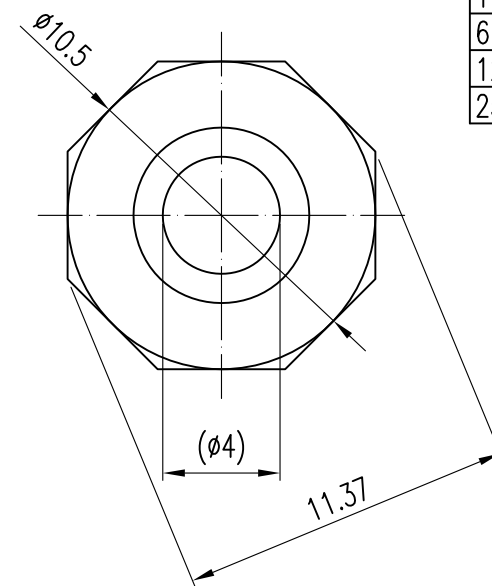
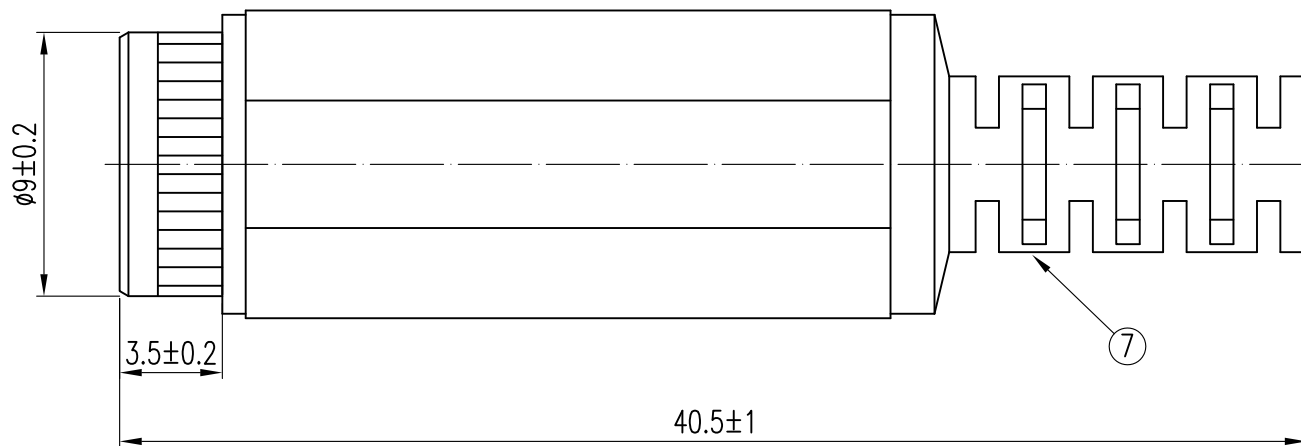


一般公差	
尺寸區分	公差
0>1.0	±0.1
1.0>6.0	±0.2
6.0>12.0	±0.3
12.0>25.0	±0.4
25.0>	±0.5



7	TPR BLACK
6	IRON NICKEL
5	BRASS NICKEL
4	PBT BLACK
3	P-BRONZE NICKEL
2	BRASS NICKEL
1	BRASS NICKEL
NO	CONTENT

RoHS Compliant

TOLERANCES ARE

**MORETHANALL**  
PCB CONNECTORS  
Cable ASSEMBLIES

DRAWING BY CY

X.±

CHECKED BY GENIUS

.X±

UNIT / mm

SCALE 1:1

.XX±

DATE

.XXX±

ANG±

SIZE A4

PJECTION



ORDER INFORMATION

DCJ-A-5721-LF  
SERIES | LEADFREE  
ID:2.1Ø  
OD:5.65Ø  
ASSEMBLY

煜倫股份有限公司

www.morethanall.com

DESCRIPTION: DC JACK 5.5\*2.1 (Asby Type)