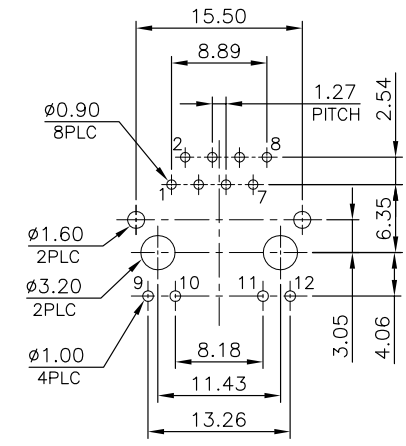
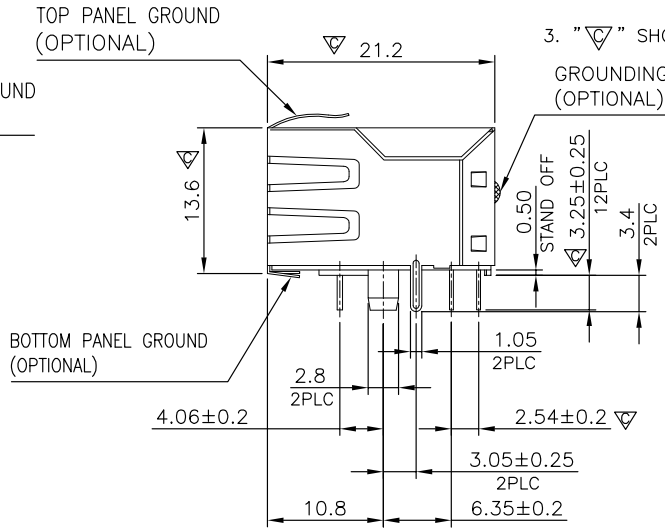
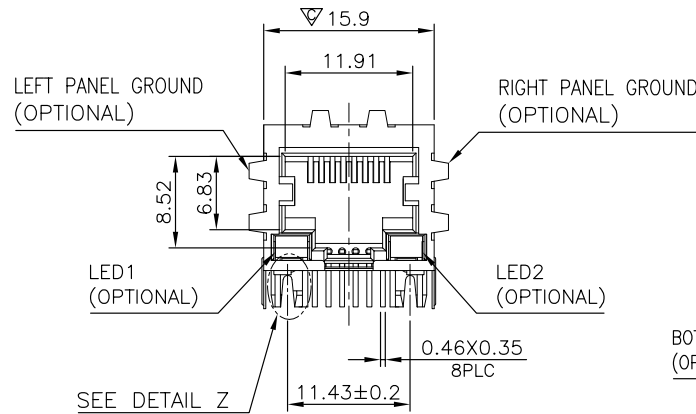


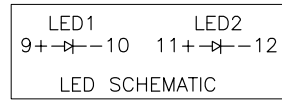
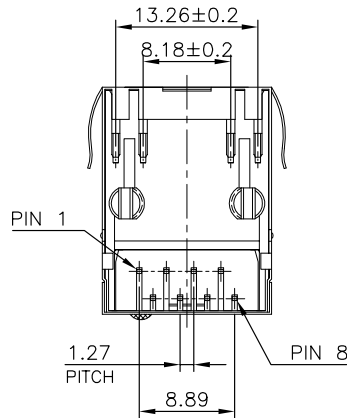
NOTE:
CAVITY CONFIRMS TO FCC RULES AND REGULATIONS PART 68, SUBPART F.

1. MATERIAL:
 - 1.1 HOUSING: PBT OR PA46, WITH GLASS FIBER, UL94V-0, STANDARD COLOR-BLACK.
 - 1.2 INSERT HOUSING: PA46, WITH GLASS FIBER, UL94V-0, STANDARD COLOR-BLACK.
 - 1.3 CONTACTS: PHOSPHOR BRONZE.
 - 1.4 SHELL: BRASS.
 - 1.5 LED SOLDER TAIL: STEEL.
2. FINISH:
 - 2.1 CONTACTS: GOLD PLATED ON CONTACT AREA, GOLD FLASH ON SOLDER TAIL, 1.27 μ m [50 μ "] MIN. NICKEL UNDERPLATED OVERALL.
 - 2.2 SHELL: 0.508 μ m [20 μ "] MIN. NICKEL PLATED.
 - 2.3 LED SOLDER TAIL: 2.032 μ m [80 μ "] MIN. TIN PLATED.

3. "▽" SHOWS QIP INSPECTION POINT.



RECOMMENDED PCB LAYOUT
PCB THICKNESS: 1.6mm
TOLERANCE: ±0.05mm (TOP VIEW)



MORETHANALL
PCB CONNECTORS
Cable ASSEMBLIES

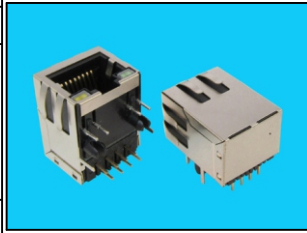
煜倫股份有限公司

www.morethanall.com

RoHS Compliant

DRAWING BY CY
CHECKED BY GENIUS
UNIT / mm SCALE 1:1
DATE
SIZE A4 PPROJECTION

TOLERANCES ARE
X, ±
.X ± 0.25
.XX ± 0.13
.XXX ± 0.05
ANG ±



ORDER INFORMATION

MJF13T25L-KF06B3YG-0808



DESCRIPTION: SINGLE PORT, RJ45, SHIELDED, WITH LED WITH TRANSFORMER, SIDE ENTRY PCB JACK

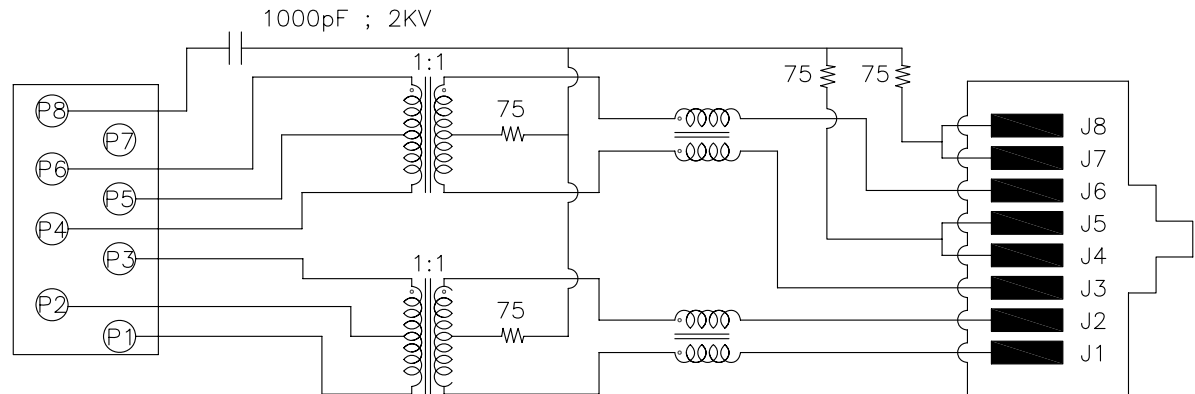
TRANSFORMER

ELECTRICAL CHARACTERISTICS:

1. TURNS RATIO :
 - (P6-P5-P4): (J6-J3) : 1CT:1CT \pm 3%
 - (P3-P2-P1): (J2-J1) : 1CT:1CT \pm 3%
2. INDUCTANCE: (P6-P4) : 350uH MIN. @ 0.1V, 100KHz,8mA DC Bias
 (P3-P1) : 350uH MIN. @ 0.1V, 100KHz,8mA DC Bias
3. LEAKAGE INDUCTANCE: P6-P4 (WITH J6 AND J3 SHORT) : 0.3 MAX. @ 1MHz
 P3-P1 (WITH J2 AND J1 SHORT) : 0.3 MAX. @ 1MHz
4. INTERWINDING CAPACITANCE: (P6,P5,P4)TO(J6,J3) : 30pf MAX. @1MHz
 (P3,P2,P1)TO(J2,J1) : 30pf MAX. @1MHz
5. DC RESISTANCE: (J6-J3)=(J2-J1) : 1.2 ohms Max.
6. CROSSTALK : -30dB MIN AT 1MHz TO 100MHz
7. INSERTION LOSS : -1.0dB MAX AT 1MHz TO 100MHz
8. RETURN LOSS : -20dB MIN AT 1MHz TO 30MHz
 -15dB MIN AT 30MHz TO 60MHz
 -10dB MIN AT 60MHz TO 80MHz

NOTES

1.0 PINS WITHOUT ELECTRICAL CONNECTION ARE OMITTED



CONNECTOR SCHEMATIC

RoHS Compliant

TOLERANCES ARE

MORETHANALL
PCB CONNECTORS
Cable ASSEMBLIES

煜倫股份有限公司

www.morethanall.com

DRAWING BY CY

CHECKED BY GENIUS

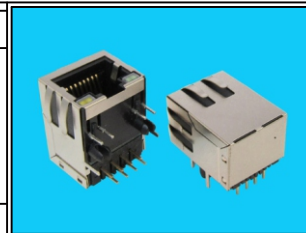
UNIT / mm SCALE 1:1

DATE

SIZE A4

P PROJECTION

X, \pm
.X \pm 0.25
.XX \pm 0.13
.XXX \pm 0.05
ANG \pm



ORDER INFORMATION

MJF13T25L-KF06B3YG-0808

SERIES

8P8C
LED1 LED2
YG:YELLOW /GREEN
REAR TAB 3.05mm
FULL SPRING
06u" GOLD

DESCRIPTION: TRANSFORMER TYPE I SPECIFICATION