

**MATERIAL**

Insulator : NYLON 66

Contact Pin : Phosphor Bronze

**SPECIFICATION**

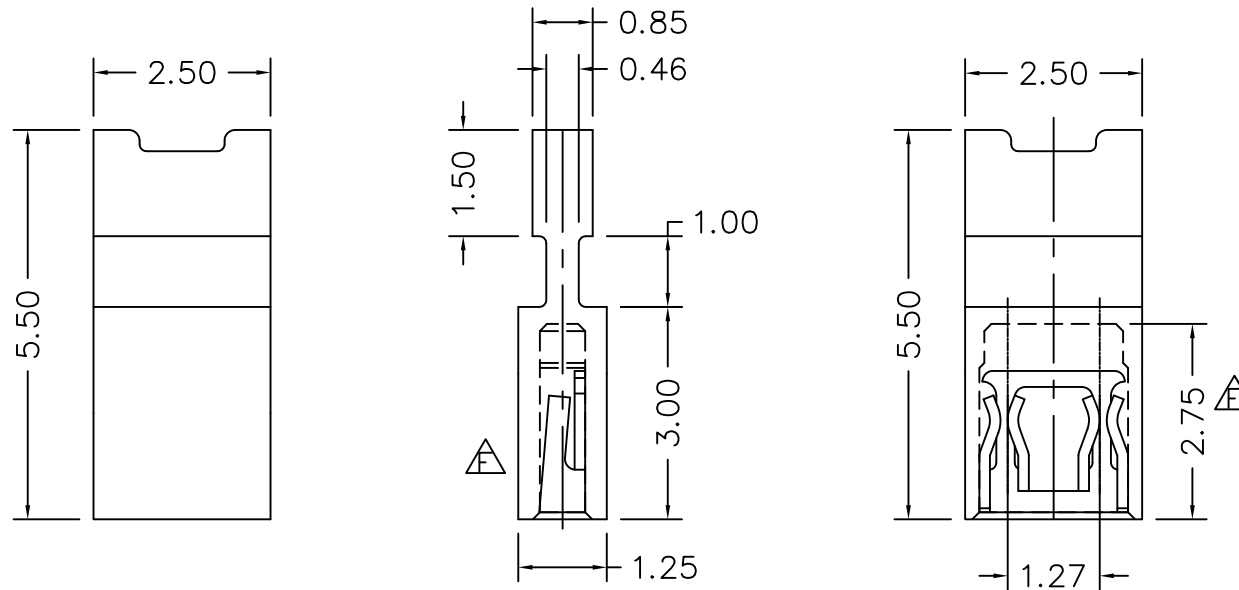
Current Rate : 3 AMP

Insulation Resistance : 1000M $\Omega$ Min. at DC 500V

Contact Resistance : 30m $\Omega$ Max. at DC 100mA

Dielectric Voltage : 650V AC for one minute

Operation Temperature : -55°C to +105°C



**RoHS Compliant**

TOLERANCES ARE

**MORETHANALL**  
PCB CONNECTORS  
Cable ASSEMBLIES

煜倫股份有限公司

www.morethanall.com

DRAWING BY CY

CHECKED BY GENIUS

UNIT / mm

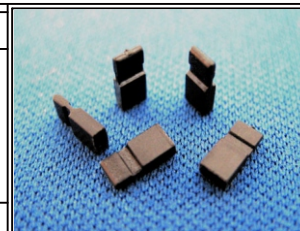
SCALE 1 : 1

DATE

SIZE A4

PPOJECTION

X.  $\pm$   
.X  $\pm$  0.30  
.XX  $\pm$  0.20  
.XXX  $\pm$   
ANG  $\pm$  3°



**ORDER INFORMATION**

YJ-H-03-LF  
SERIES | LEADFREE  
HIGH 3mm  
HANDLE

DESCRIPTION: MINI JUMPER 1.27mm W HANDLE 5.5mm