

Materials:

Overall Shield : Brass, plated with nickel

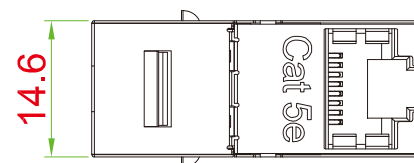
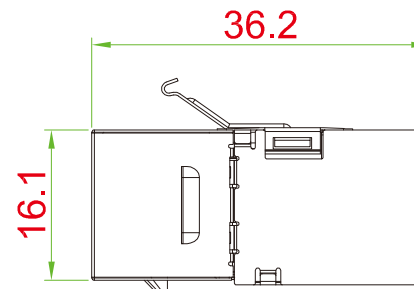
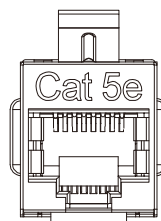
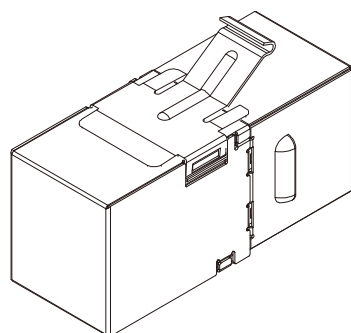
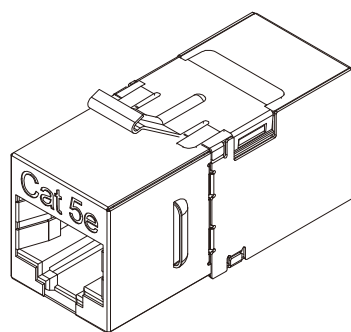
Shield Contact Point : Stainless

Housing : High-impact Acrylonitrile Butadiene Styrene (ABS resin), UL-94V0

Jack Contacts : Phosphor bronze, plated with 1.27 μm (50 μin)

Contact Holder : High-impact Acrylonitrile Butadiene Styrene (ABS resin), UL-94V0

PCB : FR4



RoHS Compliant

TOLERANCES ARE

MORETHANALL
PCB CONNECTORS
Cable ASSEMBLIES

煜倫股份有限公司

www.morethanall.com

DRAWING BY CY

CHECKED BY GENIUS

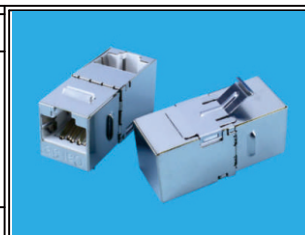
UNIT/ mm SCALE 1:1

DATE

SIZE A4

X, \pm
.X \pm 0.20
.XX \pm 0.15
.XXX \pm
ANG \pm

P PROJECTION



ORDER INFORMATION

RJX2-FRC5EPN36FM-0808-LF
SERIES | PANEL | FULL METAL | 8P8C | LEADFREE
FEMALE TO FEMALE 90° | CAT.5E | LONG 36.2mm

DESCRIPTION: C5e INLINE COUPLER FTP 50u