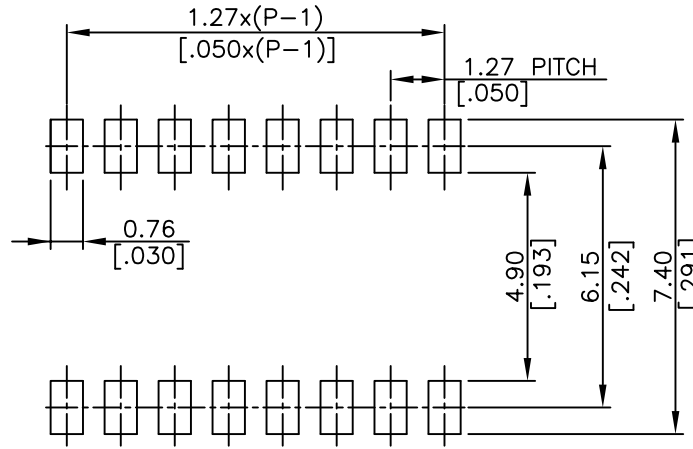
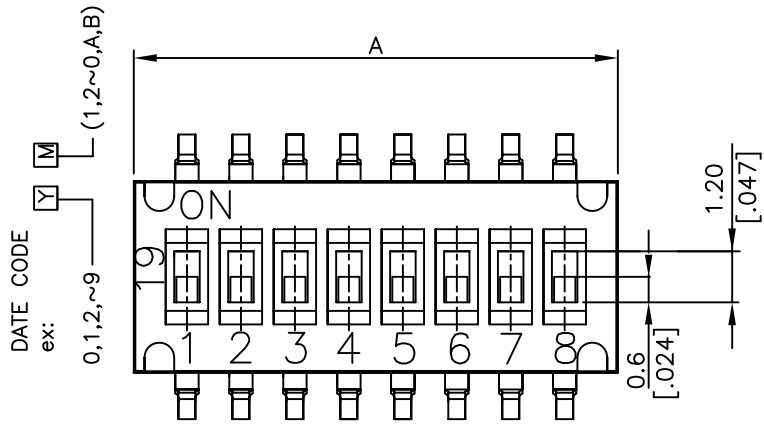
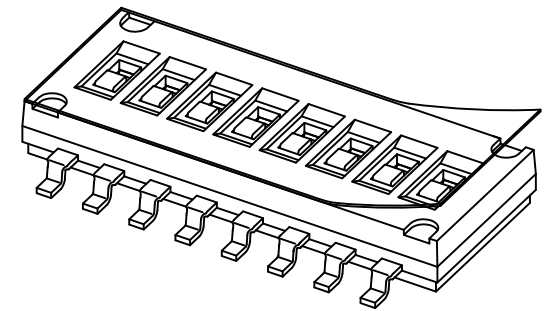
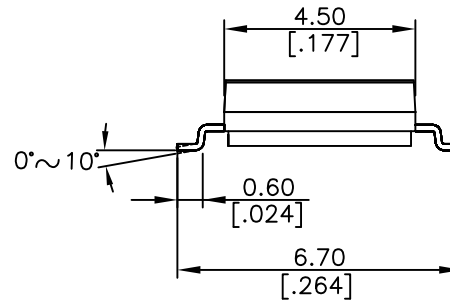
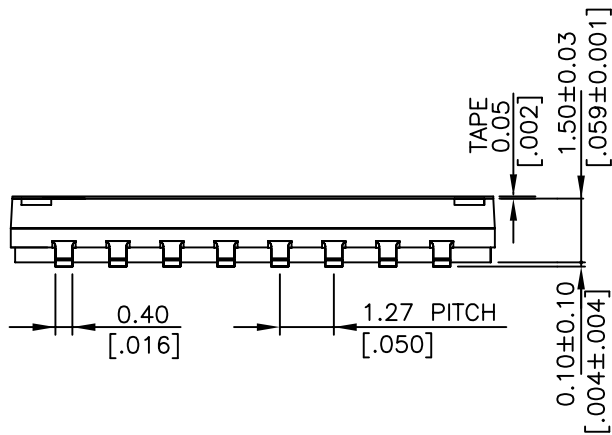


NOTE :

1. ALL DIMENSIONS ARE IN MILLIMETERS , BRACKETED DIMENSIONS ARE IN INCHS INCHS.
2. GENERAL TOLERANCE: ± 0.2 mm
3. METERIAL: SEE PAGE 3 OF 3.



HSW-SV15W6C-02	2	3.77	[.148]
HSW-SV15W6C-04	4	6.31	[.248]
HSW-SV15W6C-06	6	8.85	[.348]
HSW-SV15W6C-08	8	11.39	[.448]
HSW-SV15W6C-10	10	13.93	[.548]
PROD.NO.	NO. OF POS	DIM A	



RoHS Compliant

TOLERANCES ARE

MORETHANALL
PCB CONNECTORS
Cable ASSEMBLIES

DRAWING BY CY

CHECKED BY GENIUS

UNIT / mm

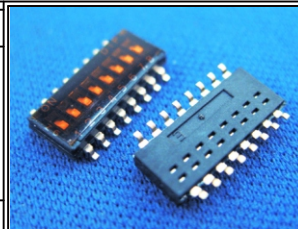
SCALE 1 : 1

DATE

SIZE A4

P PROJECTION

X, ±
.X ±
.XX ±
.XXX ±
ANG ±



ORDER INFORMATION

HSW-SV15W6C-xx-LF
SERIES | | | | LEADFREE
| | | | 02~10 WAY
MYLAR
WIDHTH 6.7mm
FEMALE | HIGH 1.5mm
180°SMT

煜倫股份有限公司

www.morethanall.com

DESCRIPTION: