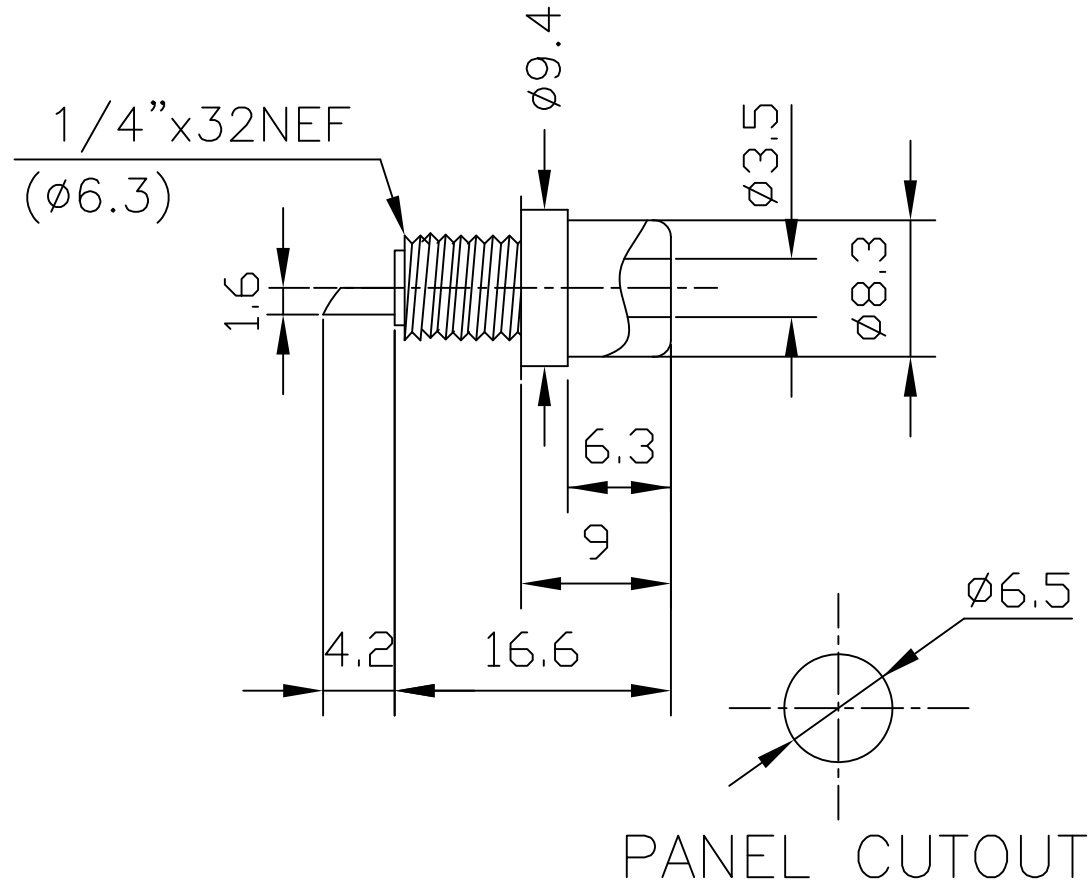


(BK): 黑色絕緣
 不要NUT, 不要接地片

鍍鎳

BLACK INSULATOR, NICKEL PLATED



RoHS Compliant

TOLERANCES ARE

MORETHANALL
 PCB CONNECTORS
 Cable ASSEMBLIES

煜倫股份有限公司

www.morethanall.com

DRAWING BY CY

CHECKED BY GENIUS

UNIT / mm

SCALE 1:1

DATE

SIZE A4

PPOJECTION

0.5~6 = ±0.3
 >6~30 = ±0.6
 >30~120 = ±0.8



ORDER INFORMATION

RCA-JS21BKPA-02-LF
 SERIES JACK
 LEADFREE
 02WAY
 PANEL FRONT
 BLACK
 LONG 20.8mm
 SOLDER

DESCRIPTION: