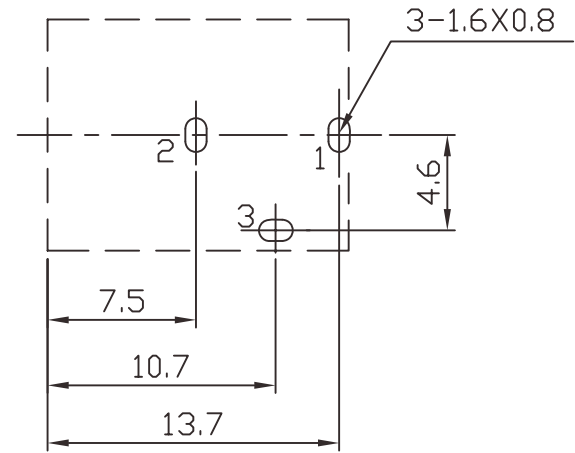
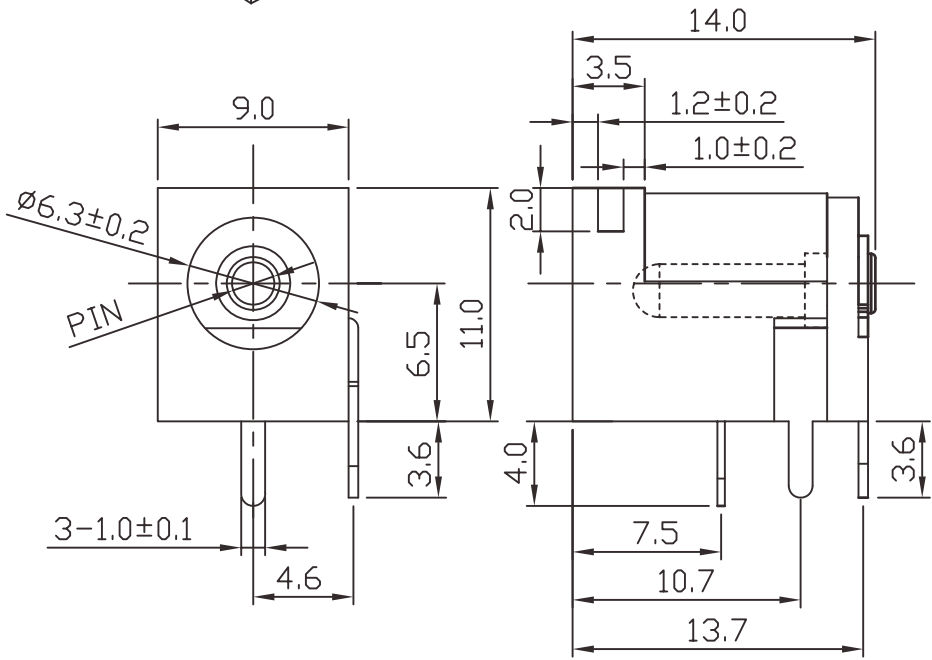
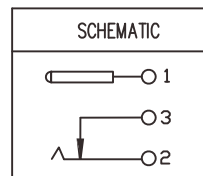


PIN	DCJ-RPUT1-20	∅2.0
-----	--------------	------



T:1.6 Dimensions of PC board holes
Tolerance : ±0.05(Printed-top view)

UNLESS OTHERWISE SPECIFIED, TOLERANCE ON DECIMAL:±0.3

6	COVER	1	PBT 4815	UL-94V0(BLACK)
5	HOUSING	1	PBT 4815	UL-94V0(BLACK)
4	PIN	1	H59(COPPER ALLOY)	Ni PLATED
3	TERMINAL	1	C2680 t=0.35	Ag PLATED
2	CURVE PIECE	1	C5191 t=0.25	Ag PLATED
1	PIN TERMINAL	1	C2680 t=0.35	Ag PLATED
LTR	PART NAME	QTY	MATERIAL	REMARK

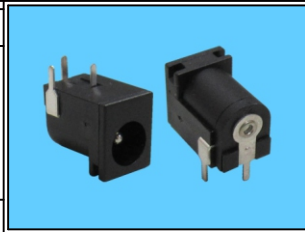
RoHS Compliant

TOLERANCES ARE

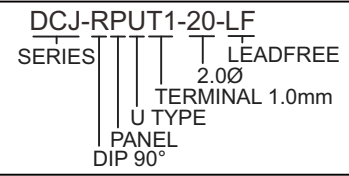
MORETHANALL
PCB CONNECTORS
Cable ASSEMBLIES
煜倫股份有限公司
www.morethanall.com

DRAWING BY	CY
CHECKED BY	GENIUS
UNIT / mm	SCALE 1 : 1
DATE	
SIZE A4	P PROJECTION

X.±
.X±
.XX±
.XXX±
ANG ±



ORDER INFORMATION



DESCRIPTION: