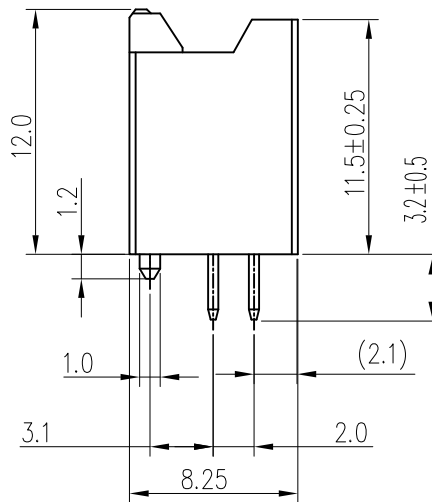
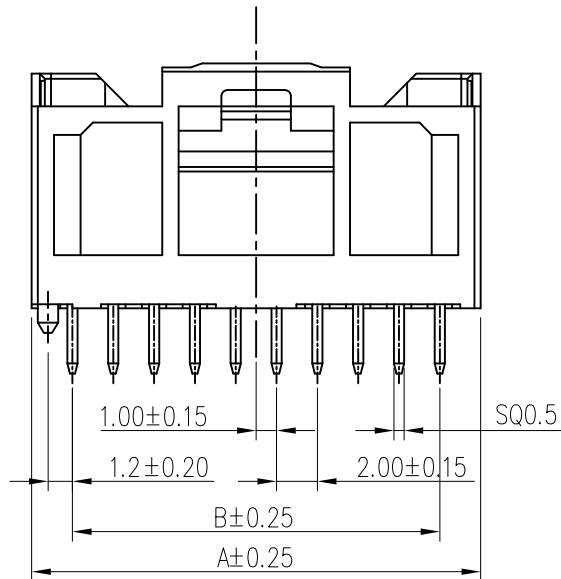


RECOMMENDED PCB LAYOUT
T=1~1.6mm TOLERANCE: ±0.05

NOTE:

1. MATERIAL:
 - 1.1. INSULATOR:LCP UL 94V-0
 - 1.2. CONTACT=SQ 0.50mm BRASS
2. FINISH: TIN
3. RoHS & HF COMPLIANCE



5. DIMENSIONAL

POS	A	B	C	D
40	42	38	40.7	9.2
38	40	36	38.7	9.2
36	38	34	36.7	9.2
34	36	32	34.7	9.2
32	34	30	32.7	9.2
30	32	28	30.7	9.2
28	30	26	28.7	9.2
26	28	24	26.7	9.2
24	26	22	24.7	9.2
22	24	20	22.7	9.2
20	22	18	20.7	9.2
18	20	16	18.7	9.2
16	18	14	16.7	9.2
14	16	12	14.7	9.2
12	14	10	12.7	9.2
10	12	8	10.7	7.3

RoHS Compliant

TOLERANCES ARE

MORETHANALL
PCB CONNECTORS
Cable ASSEMBLIES

DRAWING BY CY

X ± 0.50

CHECKED BY GENIUS

.X ± 0.35

UNIT / mm

SCALE 1 : 1

.XX ± 0.25

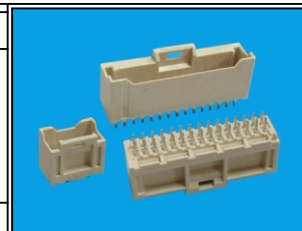
DATE

.XXX ± 0.15

ANG ± 5°

SIZE A4

PJECTION



ORDER INFORMATION

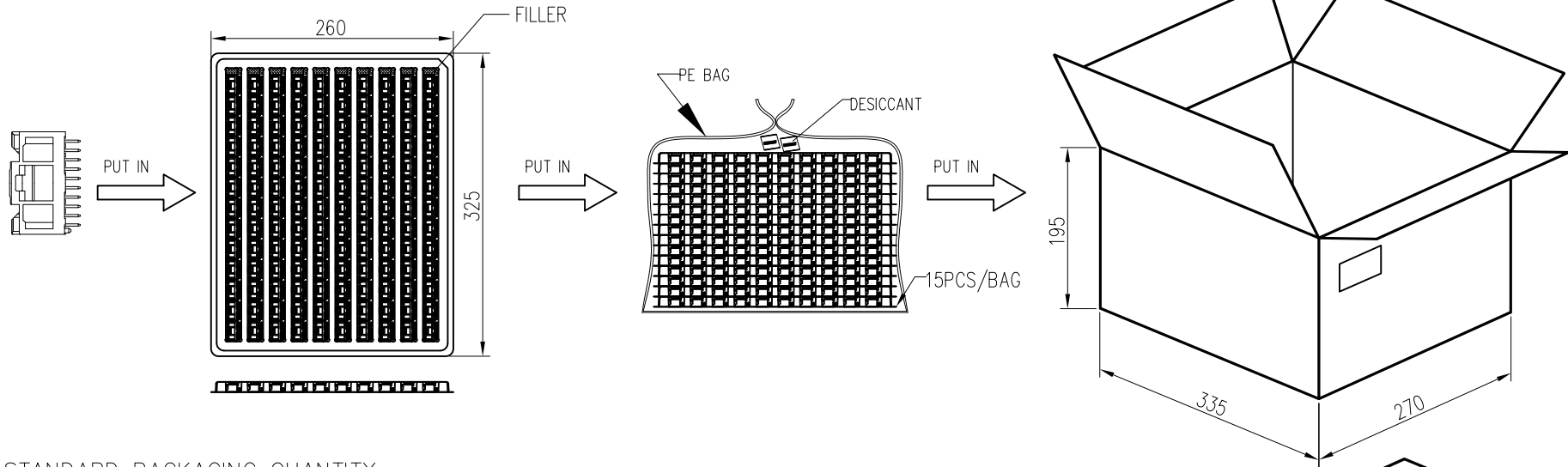
IGD20-DPWH-xx-LF

SERIES | | LEADFREE
| | 10~40WAY
| | WHITE
POST
DIP 180°

煜倫股份有限公司

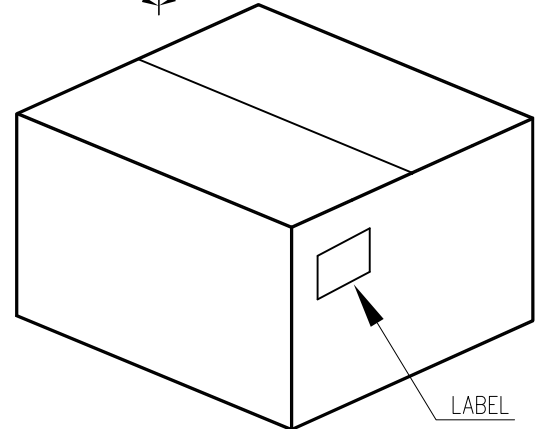
www.morethanall.com

DESCRIPTION: IGRID 2.0MM W/B DUAL DIP PLUG ASSY ST(WITH BOSS)



7. STANDARD PACKAGING QUANTITY

CKT. SIZE	PLASTIC TRAY (15 ROWS)	TRAY	SHIPPING CARTON
	QTY. IN ONE TRAY(pcs)	NUMBER OF TRAYS	QUANTITY(pcs)
10	240	15	3600
12	200	15	3000
14	180	15	2700
16	160	15	2400
18	140	15	2100
20	130	15	1950
22	120	15	1800
24	110	15	1650
26	100	15	1500
28	90	15	1350
30	90	15	1200
32	80	15	1200
34	80	15	1050
36	70	15	1050
38	70	15	1050
40	60	15	900



RoHS Compliant

TOLERANCES ARE

MORETHANALL
PCB CONNECTORS
Cable ASSEMBLIES

煜倫股份有限公司

www.morethanall.com

DRAWING BY CY

CHECKED BY GENIUS

UNIT / mm

SCALE 1 : 1

DATE

SIZE A4

X. ± 0.50

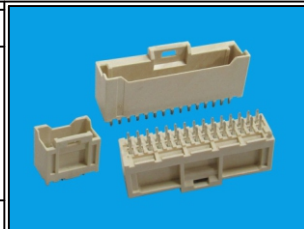
.X ± 0.35

.XX ± 0.25

.XXX ± 0.15

ANG ± 5°

PPOJECTION



ORDER INFORMATION

IGD20-DPWH-xx-LF

SERIES | | | LEADFREE
| | | 10~40WAY
| | | WHITE
| | | POST
| | | DIP 180°

DESCRIPTION: IGRID 2.0MM W/B DUAL DIP PLUG ASSY ST(WITH BOSS)