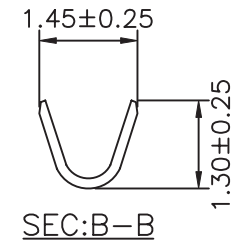
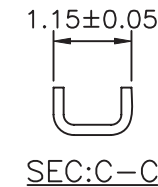


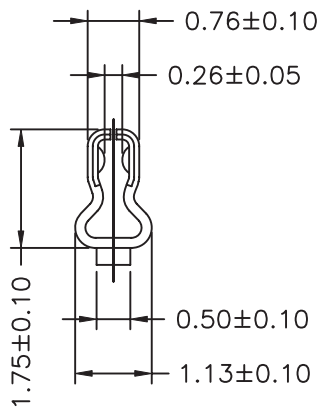
SEC:A-A



SEC:B-B



SEC:C-C



Ordering Information & Specifications

Part No	Wire Range	Insulation O.D.	Material	Finish	Qty/reel
ZHQ-T-24	AWG#24-#28	1.10mm(max)	Phosphor Bronze	Tin-plated	10,000pcs

RoHS Compliant

TOLERANCES ARE

**MORETHANALL**  
PCB CONNECTORS  
Cable ASSEMBLIES

煜倫股份有限公司

www.morethanall.com

DRAWING BY CY

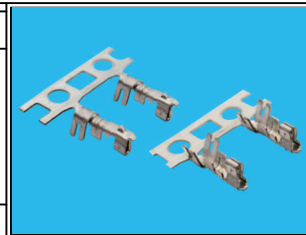
CHECKED BY GENIUS

UNIT/mm SCALE 1:1

DATE

SIZE A4 PROJECTION

X.±  
.X± 0.25  
.XX± 0.15  
.XXX± 0.05  
ANG ±



ORDER INFORMATION

ZHQ-T-24-LF  
SERIES | LEADFREE  
24~28 AWG  
TERMINAL

DESCRIPTION: 1.50mm PITCH CRIMP TERMINAL