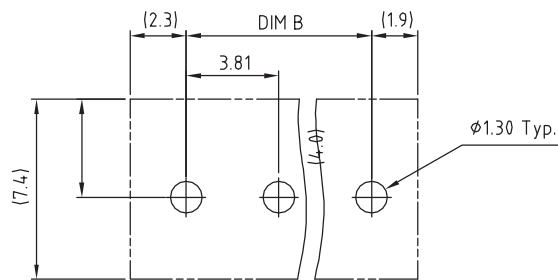
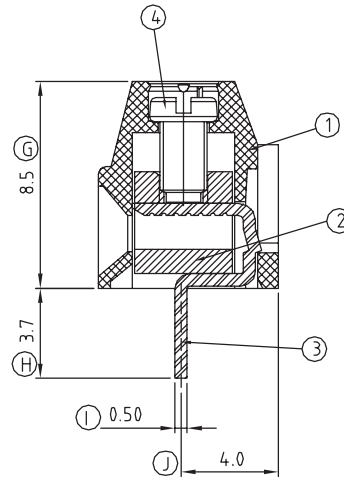
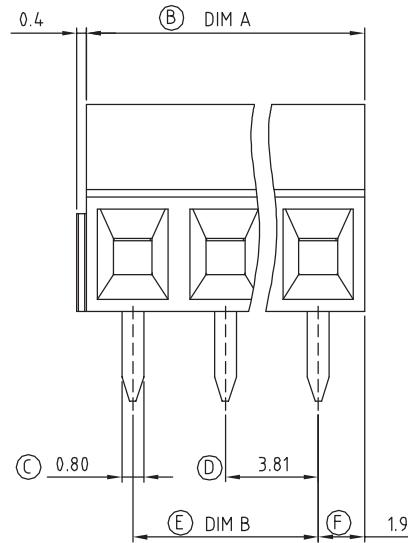


Dimension

Dim A= N×3.81
Dim B= (N-1)×3.81

N = Number of poles Δ

Poles	TOLERANCE
2P-5P	±0.15
6P-12P	±0.30
13P-24P	±0.40



P.C.B. LAYOUT

Material:

- Item 1 Terminal housing :Thermoplastic (UL 94V-0)
- Item 2 Clamp : Brass,Ni plated
- Item 3 Wire guard solder pin : Brass,Tin plated
- Item 4 Terminal screw: Steel Zinc plating"-slot type

Δ Electrical cULus / TUV

- Voltage rating: 300V / 300V
- Current rating: 10A / 12A
- Wire range: 0.2~1.5mm²
- Solid wire(AWG): 16-24
- Stranded wire(AWG): 16-24
- Torque: 1.7 Lb.in / 0.2Nm (stackable type: 1.5Kgf cm)
- Screw: M2
- Wire strip length: 5-6mm
- Withstanding Voltage: 1.6KV / 1.25KV
- Δ ● Operating temperature: -40°C to +115°C
- Δ ● Soldering temperature: 250°C±10°C/5 Sec
- Safety Approval:



RoHS Compliant

TOLERANCES ARE



煜倫股份有限公司

www.morethanall.com

DRAWING BY CY

CHECKED BY GENIUS

UNIT / mm SCALE 1 : 1

DATE

SIZE A4

X. ± 0.50

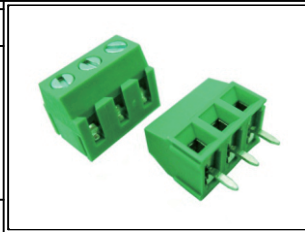
.X ± 0.30

.XX ± 0.10

.XXX ±

ANG ±

PJECTION



ORDER INFORMATION

TBH038-D08-xx-LF

SERIES | LEADFREE
02~24WAY
HIGH 8.5mm
DIP 180°

DESCRIPTION: 3.81mm SERIES